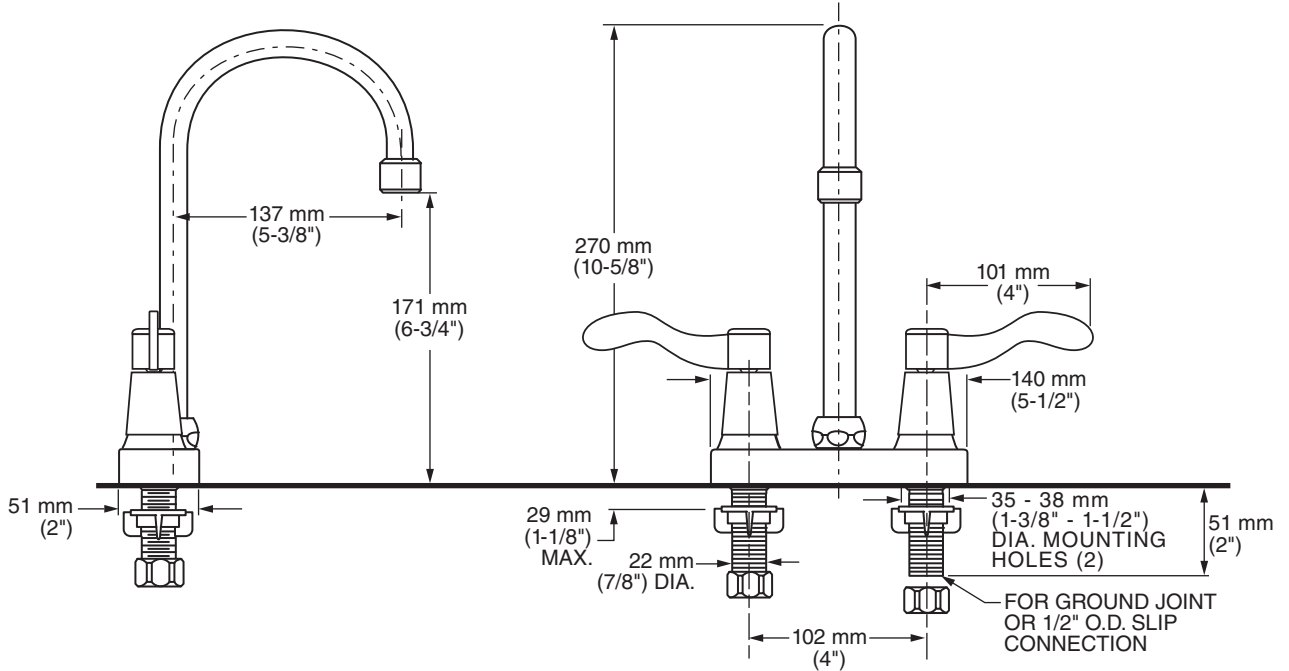


MODEL NUMBER:

☐ **7490.172H Centerset Bar Sink Faucet**

Gooseneck swivel spout. Metal wrist blade handles with red and blue indexes.



GENERAL DESCRIPTION:

Durable brass construction. 1/4 turn washerless ceramic disc valve cartridges. One-half inch male inlet shanks with brass coupling nuts. Brass gooseneck swivel spout. Metal wrist blade handles with red and blue indexes. 1.5gpm/5.7L/min. maximum flow rate.

PRODUCT FEATURES:

Ceramic Disc Valve Cartridges: Assures a lifetime of drip-free performance.

Brass Construction: Durable - Excellent in high use applications. Ideal for prolonged contact with water.

Lead-Free: Faucet contains ≤ 0.25% total lead content by weighted average.

SUGGESTED SPECIFICATION

Centerset bar sink faucet shall be cast brass construction with all brass coupling nuts. Shall also feature 1/4 turn washerless ceramic disc valve cartridges. 1.5gpm/5.7L/min. maximum flow rate. Fitting shall be American Standard Model # 7490.172H.002.

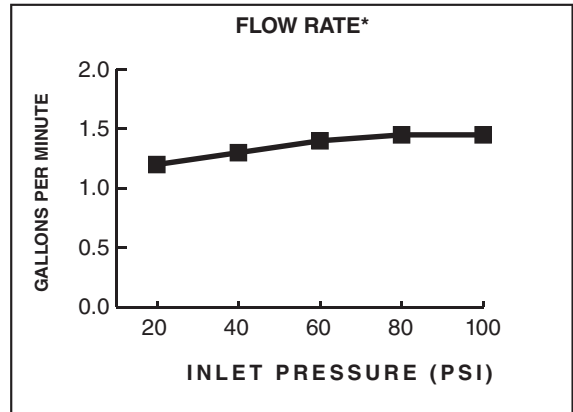


HERITAGE®
TWO-HANDLE CENTERSET BAR SINK FAUCET
WITH BRASS GOOSENECK SPOUT


CODES AND STANDARDS

These products meet or exceed the following codes and standards:

- ASME A112.18.1**
- CSA B125.1**
- NSF 61/Section 9 and Annex G**
- NSF 372**



Product Number	Description	Finish
		Polished Chrome
		002
7490.172H	Bar Sink faucet. Gooseneck swivel spout. Metal wrist blade handles with red and blue indexes. Less handles.	

 Meets the American Disabilities Act Guidelines and **ANSI A117.1** Requirements for accessible and usable building facilities - check local codes