

**MODEL NUMBER:**

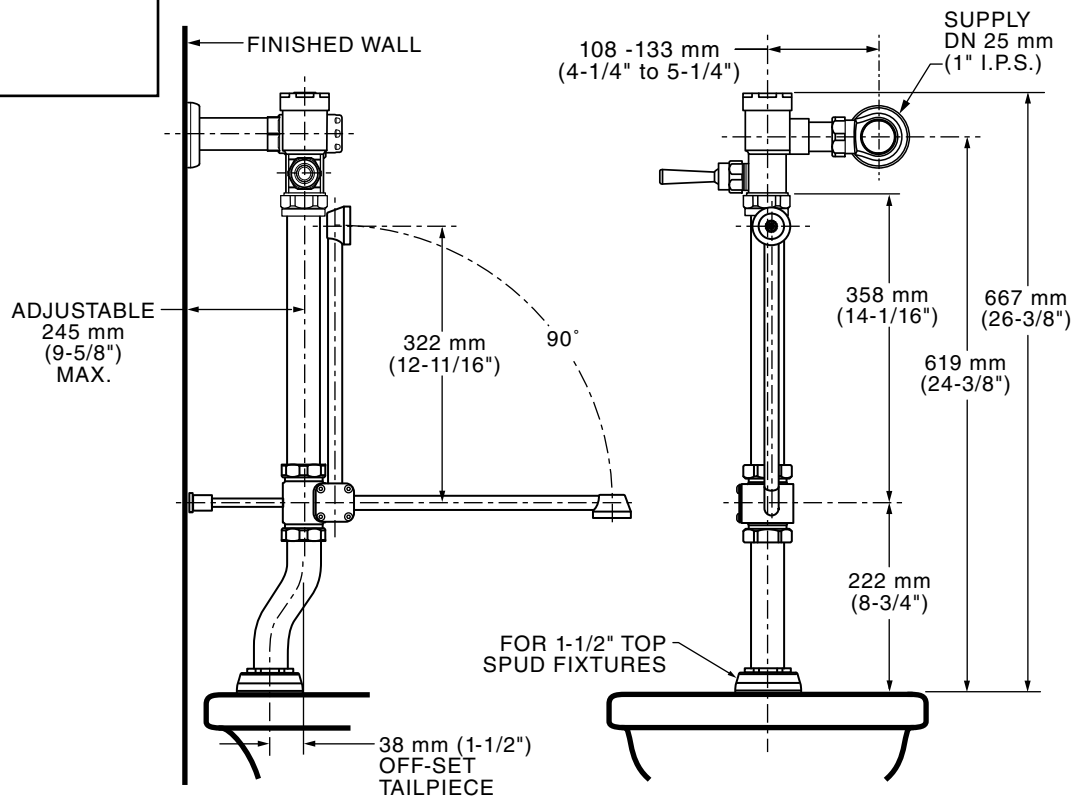
❑ **6047.861.002 Bedpan Washer Diverter Assembly**

For installation on 1-1/2" top spud flushometer bowl. Kit includes bedpan washer with offset down tube, 1.6 gpf piston-operated manual flush valve, 1" angle stop and 1" inlet piping kit with sweat solder adapter.



❑ **6047.821.002 Bedpan Washer Diverter Assembly**

For installation on 1-1/2" top spud flushometer bowl. Kit includes bedpan washer with offset down tube, 1.28 gpf piston-operated manual flush valve, 1" angle stop and 1" inlet piping kit with sweat solder adapter.



**GENERAL DESCRIPTION:**

Bedpan diverter assembly kit for use on 1-1/2 top spud bowl. Rugged solid brass construction. Counter balanced pivot assembly. Includes manual flush valve, inlet piping, flush valve, wall support, spud coupling & flange.

**PRODUCT FEATURES:**

- Available in 1.28 & 1.6 gpf. versions
- Includes self-cleaning piston-operated manual flush valve with DynaClean integral wiper spring
- Solid brass construction
- Counter balanced pivot assembly keeps spray arm in last position
- Brass spray arm
- Includes high back-pressure EPDM vacuum breaker assembly for chemical resistance
- Includes 1-1/2" spud coupling and flange and wall support