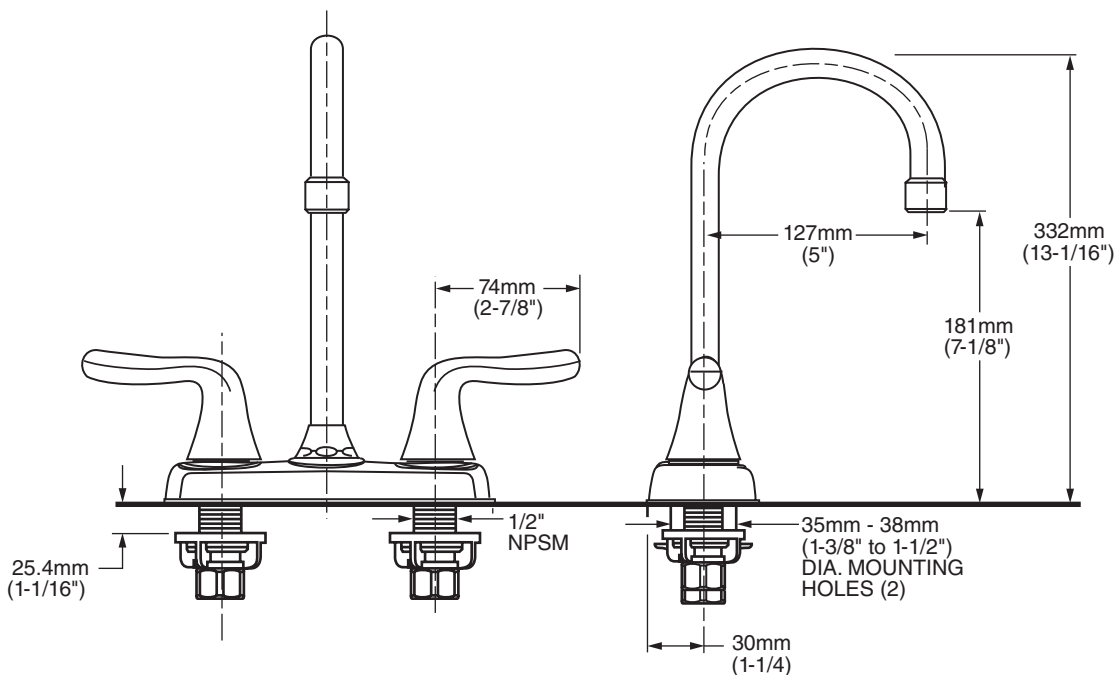




MODEL NUMBER:

- 2475.500 Centerset Bar Sink Faucet**
Lever handles.
- 2475.500.F15 Centerset Bar Sink Faucet**
Same as above. 1.5gpm flow rate.



GENERAL DESCRIPTION:

Durable brass construction. 1/4 turn washerless ceramic disc valve cartridges. One-half inch male inlet shanks with brass coupling nuts. Brass gooseneck swivel spout. 2.2gpm/8.3L/min. maximum flow rate, 1.5gpm/5.7 L/min. maximum flow rate for F15 models.

PRODUCT FEATURES:

Ceramic Disc Valve Cartridges: Assures a lifetime of drip-free performance.

Solid Brass Construction: Durable. Ideal for prolonged contact with water.

Lead Free: Faucet contains $\leq 0.25\%$ total lead content by weighted average.

Choice of Finishes: Available in Polished Chrome or Stainless Steel (PVD).

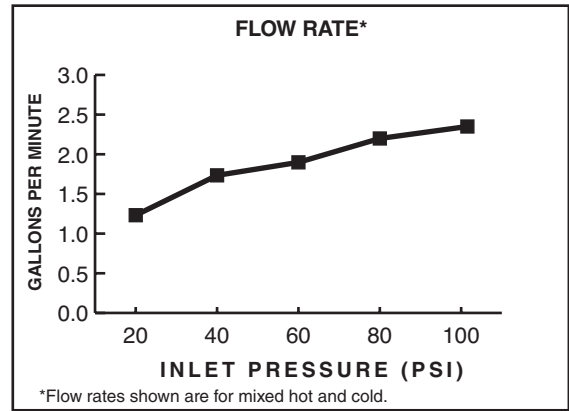
SUGGESTED SPECIFICATION:

Centerset bar sink faucet shall feature brass construction with brass inlet shanks and brass coupling nuts. Shall also feature 1/4 turn washerless ceramic disc valve cartridges. Fitting shall be American Standard Model # 2475.500.____.

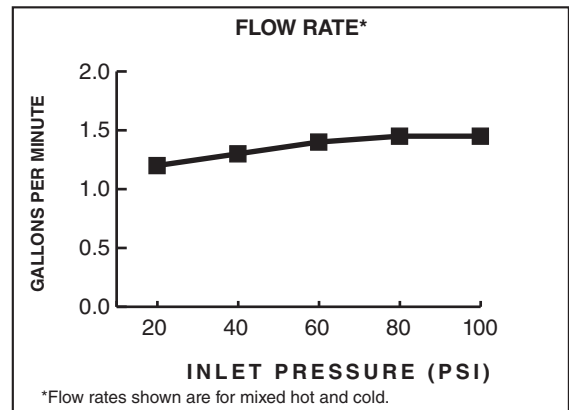
CODES AND STANDARDS

These products meet or exceed the following codes and standards:

- ANSI A117.1**
- ASME A112.18.1**
- CSA B 125**
- NSF 61/Section 9 & Annex G**




2.2gpm/8.3L/min. FLOW RATE



1.5gpm/5.7 L/min. FLOW RATE

Product Number	Description	Finish Options	
		Polished Chrome	PVD Stainless Steel
2475.500	Bar Sink faucet. Lever handles.	002	075
2475.500.F15	Bar Sink faucet. Lever handles. Same as above. 1.5gpm flow rate.		

 Meets the American Disabilities Act Guidelines and **ANSI A117.1** Requirements for the physically challenged.