

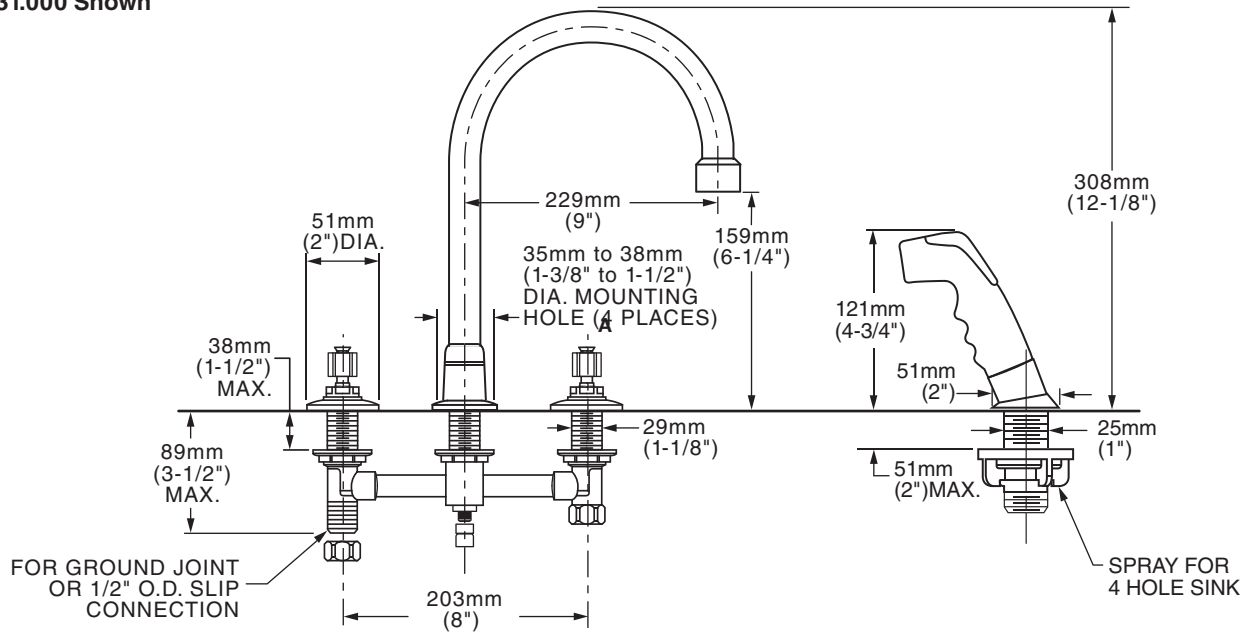


7231.000 Shown

MODEL NUMBER:

- 7231.000 Bottom-Mount Kitchen Faucet**
 Gooseneck swivel spout. Color-matched side spray. Less handles.
- 7230.000 Bottom-Mount Kitchen Faucet**
 Gooseneck swivel spout. Less spray. Less handles.

Handles must be ordered separately.



GENERAL DESCRIPTION:

Durable brass construction. Amarilis 1/4 turn washerless ceramic disc valve cartridges. One-half inch male inlet shanks with brass coupling nuts. Brass gooseneck swivel spout. 2.2gpm/8.3L/min. maximum flow rate.

PRODUCT FEATURES:

Ceramic Disc Valve Cartridges: Assures a lifetime of drip-free performance.

Brass Construction: Durable - Excellent in high use applications. Ideal for prolonged contact with water.

Handle Choices: Available with lever or wrist blade handles.

Lead Free: Faucet contains ≤ 0.25% total lead content by weighted average.

SUGGESTED SPECIFICATION:

Two handle bottom-mount kitchen faucet shall feature brass construction with all brass coupling nuts. Shall also feature 1/4 turn washerless ceramic disc valve cartridges.
 Fitting shall be American Standard Model # _____ and handle kit # 0000._____.

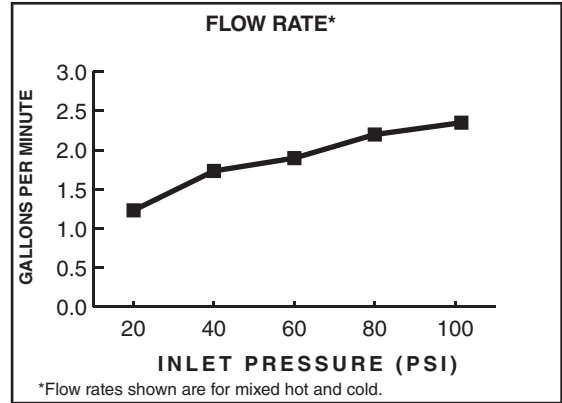


HERITAGE/AMARILIS TWO-HANDLE BOTTOM-MOUNT KITCHEN FAUCET WITH BRASS GOOSENECK SPOUT

CODES AND STANDARDS

These products meet or exceed the following codes and standards:

- ASME A112.18.1
- CSA B 125
- NSF 61/Section 9
- NSF 372



Product Number	Description	Finish
		Polished Chrome 002
7231.000	Kitchen Faucet. Color-matched side spray. Less handles.	
7230.000	Kitchen Faucet. Less hand spray. Less handles.	

Handles must be ordered separately.

To order **Less Handles** - Specify: 4 digit Style number followed by three zeros and 3 digit finish number.
Example 7231.000.002 = Kitchen faucet with hand spray in Polished Chrome finish.

The above fittings will accept the following Amaris-Series handles.

Wrist Blade	Lever
372H 372V	342H 342V

MEETS THE AMERICANS WITH DISABILITIES ACT GUIDELINES AND ANSI A117.1 REQUIREMENTS FOR ACCESSIBLE AND USABLE BUILDING FACILITIES-CHECK LOCAL CODES

Other Aerators Available:

Part Suffix	Description
LV15	1.5 gpm (5.7 Lpm) Vandal-Resistant PCA Non-Aerated Laminar Flow Outlet
L15	1.5 gpm (5.7 Lpm) PCA Non-Aerated Laminar Flow Outlet
V15	1.5 gpm (5.7 Lpm) Vandal-Resistant PCA Aerator
LV10	1.0 gpm (3.8 Lpm) Vandal-Resistant PCA Non-Aerated Laminar Flow Outlet
L10	1.0 gpm (3.8 Lpm) PCA Non-Aerated Laminar Flow Outlet
V10	1.0 gpm (3.8 Lpm) Vandal-Resistant PCA Aerator
V05	0.5 gpm (1.9 Lpm) Vandal-Resistant PCA Non-Aerated Spray
V035	0.35 gpm (1.3 Lpm) Vandal-Resistant PCA Non-Aerated Spray

*PCA - Pressure Compensating
All modifications meet CALGreen Code