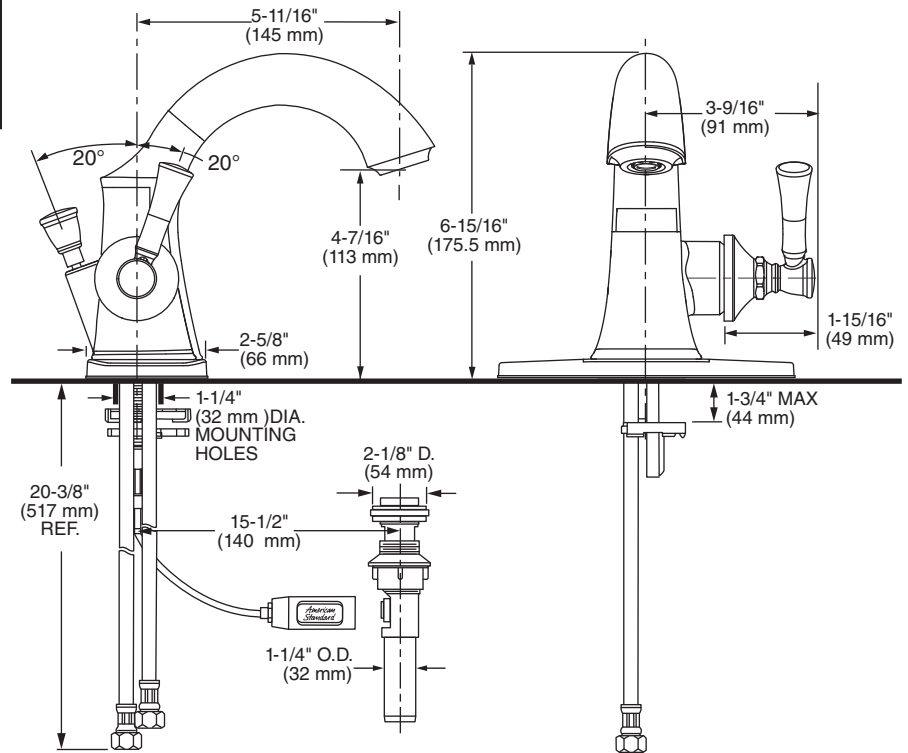




MODEL NUMBER:

- 7022121.002 Chrome finish.
- 7022121.295 Brushed Nickel finish.



Includes Optional Deckplate
For 1 or 3 Hole Installation

Reliable For Life



Guaranteed Not To Leak
CERAMIC DISC VALVE

Reliable For Life



Supply Lines Included

Reliable For Life

Effortless elegance, leading-edge style and thoughtful innovation combine to make American Standard faucets the perfect choice for those who are unwilling to sacrifice style for performance.

GENERAL DESCRIPTION:

Centerset lavatory faucet on 4" centers. 1/4 turn washerless ceramic disc valve cartridge. Durable non-metal water ways. Metal body and metal lever handle. Speed Connect drain with 1-1/4 inch (32 mm) tail piece. 1.2 gpm/4.5 L/min. maximum flow rate.

PRODUCT FEATURES:

- Durable - Easy to clean.
- Ceramic Disc Valve Cartridge: Assures a lifetime of smooth handle operation and drip-free performance.
- Supply lines included.
- Lead Free: Faucet contains ≤0.25% total lead content by weighted average.

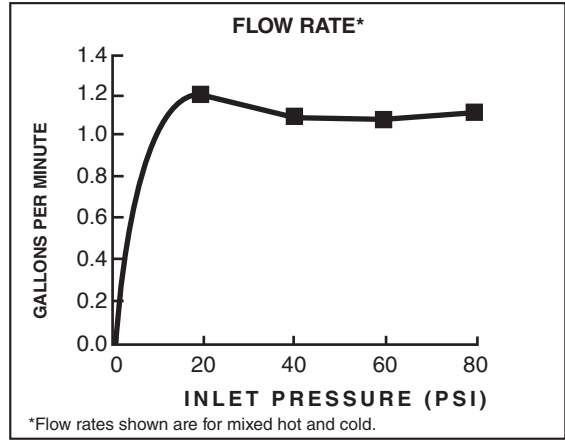
SUGGESTED SPECIFICATION:

Single control centerset bath faucet shall feature metal spout and metal lever handle. Shall also feature 1/4 turn washerless ceramic disc valve cartridge. Shall also feature a non-metal Speed Connect drain. Fitting shall be American Standard Model # 7022121.002, Model # 7022121.295.


CODES AND STANDARDS

These products meet or exceed the following codes and standards:

- ANSI A117.1**
- ASME A112.18.1**
- CSA B125.1**
- NSF 61/Section 9**
- NSF 372**



Product Number	Description
7022121.002	Centerset lavatory. Metal lever handle. Speed Connect drain. Chrome finish.
7022121.295	Centerset lavatory. Metal lever handle. Speed Connect drain. Brushed Nickel finish.

 Meets the American Disabilities Act Guidelines
ANSI A117.1 Requirements for the physically challenged.