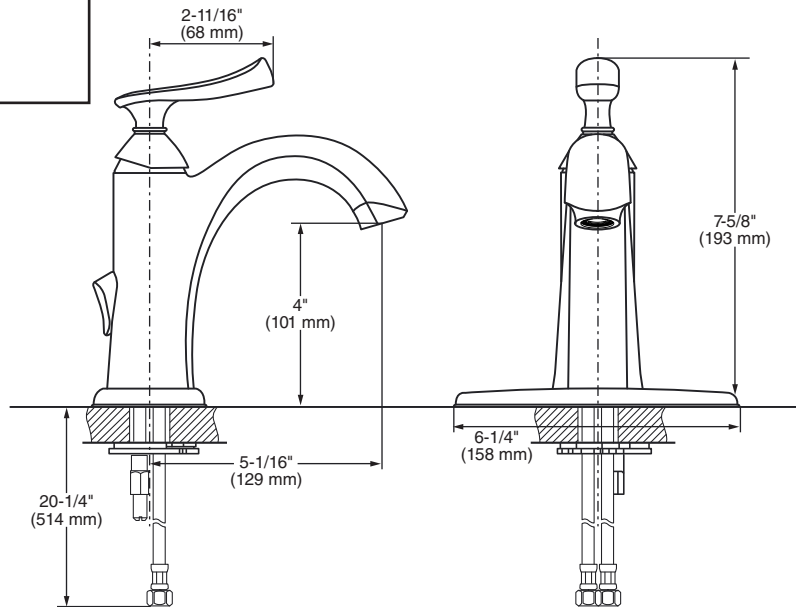


7413.101 Shown



MODEL NUMBER:

- 7413101.002 Chrome finish.
- 7413101.295 Brushed Nickel finish.
SKU# 1002154995
- 7413101.278 Legacy Bronze finish.
SKU# 1002154994



Beautiful & Tough
TARNISH, SCRATCH AND
CORROSION RESISTANT FINISH



Reliable For Life



Guaranteed Not To Leak
CERAMIC DISC VALVE



Reliable For Life



Supply Lines Included



Reliable For Life

Effortless elegance, leading-edge style and thoughtful innovation combine to make American Standard faucets and accessories the perfect choice for those who are unwilling to sacrifice style for performance.

GENERAL DESCRIPTION:

Centerset lavatory faucet on 4" centers. 1/4 turn washerless ceramic disc valve cartridge. Durable non-metal water ways. Metal body and metal lever handle. Drain body with 1-1/4 inch (32 mm) tail piece. 1.2 gpm/4.5 L/min. maximum flow rate.

PRODUCT FEATURES:

- Durable - Easy to clean.
- Ceramic Disc Valve Cartridge: Assures a lifetime of smooth handle operation and drip-free performance.
- Supply lines included.
- Lead Free: Faucet contains ≤0.25% total lead content by weighted average.
- Choice of Finishes: Chrome, Brushed Nickel or Legacy Bronze.

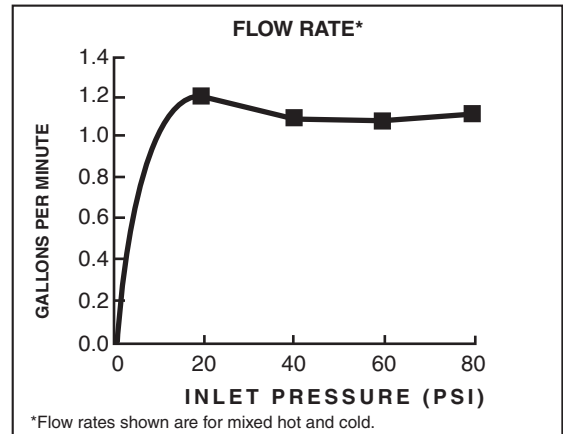
SUGGESTED SPECIFICATION

1-Handle 4" lavatory faucet shall feature metal spout. Shall also feature 1/4 turn washerless ceramic disc valve cartridge. Shall also feature a non-metal drain body. Fitting shall be American Standard Model # 7413101.002 Model # 7413101.295, SKU# 1002154995. Model # 7413101.278, SKU# 1002154994.


CODES AND STANDARDS

These products meet or exceed the following codes and standards:

- ANSI A117.1**
- ASME A112.18.1**
- CSA B125.1**
- NSF 61/Section 9**
- NSF 372**



Product Number	Description
7413101.002	1-Handle 4" lavatory faucet. Metal lever handle. Pop-up drain. Chrome finish.
7413101.295	1-Handle 4" lavatory faucet. Metal lever handle. Pop-up drain. Brushed Nickel finish. SKU #1002154995.
7413101.278	1-Handle 4" lavatory faucet. Metal lever handle. Pop-up drain. Legacy Bronze finish. SKU #1002154994.

 Meets the American Disabilities Act Guidelines **ANSI A117.1** Requirements for the physically challenged.