

**Studio® S Above Counter Sink
and Optional Furniture**

1296000

- Vitreous china
- Oval shape sink
- Front overflow
- Design coordinates with Studio® S Collection
- Supplied with cut-out template
- Sink can be used with optional furniture

Bowl size:

21-9/16" (548 mm) wide
13-1/16" (332 mm) front-to-back
4" (102 mm) deep

Nominal Dimensions:

Sink Only:

22-1/2" x 14" x 1-7/8" (572 x 356 x 48 mm)

Single Vanity Option:

33" x 20" x 36" (838 x 508 x 912 mm)

Double Vanity with Vanity Middle Option:

76" x 20" x 36" (1930 x 508 x 912 mm)

- 8726033** 33" Double drawer vanity
- 8722000** Vanity leg set
- 8727000** Vanity middle
- 7813001** Above Counter Sink top with CHO hole

Compliance Certifications -

Meets or Exceeds the Following Specifications:

- ASME A112.19.2/CSA B 45.1



**Studio S above counter sink 1296000 shown
with sink top 7813001, 33" vanity 8726033
and monoblock faucet**

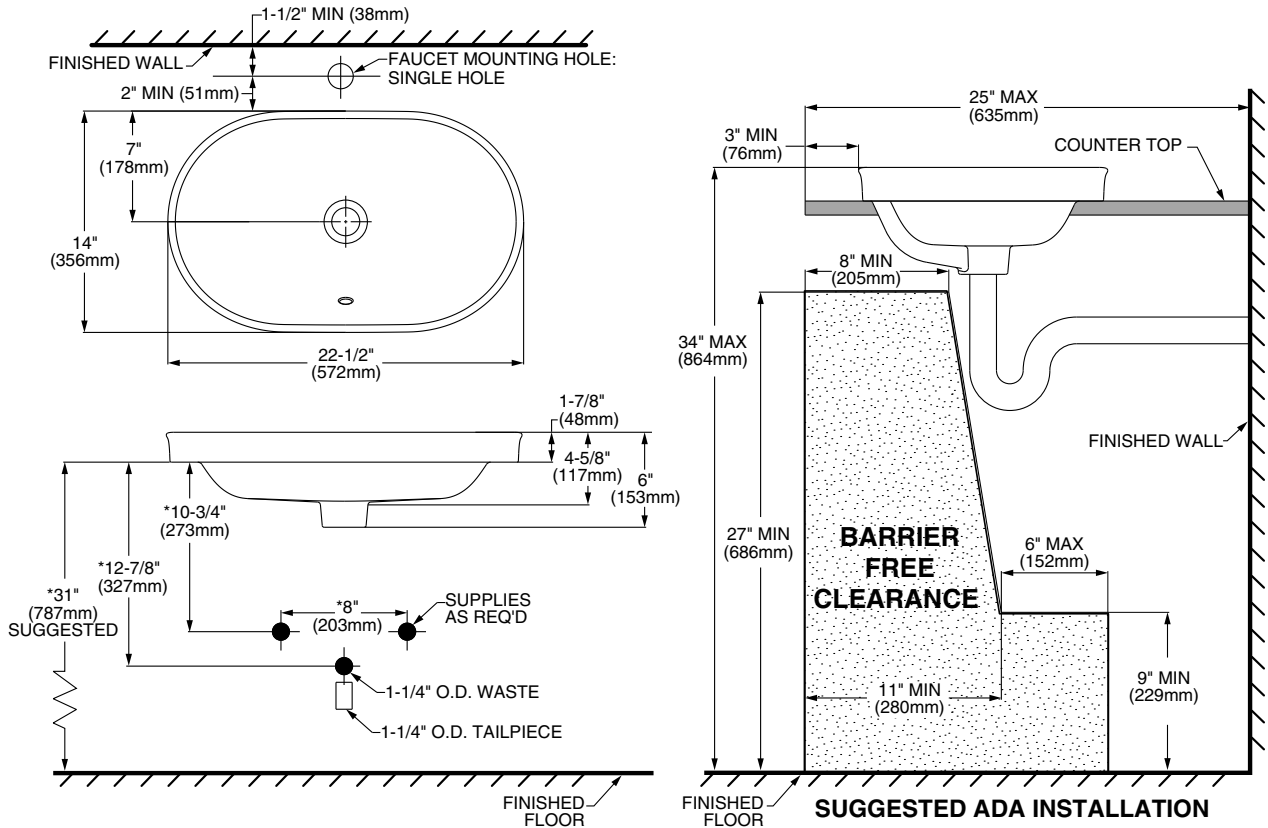
SEE FOLLOWING PAGES FOR ROUGHING-IN DIMENSIONS

To Be Specified:

- Chinaware Color: White
- Vanity Finish: White Dark Grey
- Vanity Leg Set Finish: Chrome Matte Black
- Vanity middle Finish: White Dark Grey
- Above counter sink top Finish: Ash Walnut
- Faucet:*

* See Studio® S faucet section for models available

SINK INSTALLED IN COUNTER BY OTHERS (NO FURNITURE OPTION)



MEETS THE AMERICANS WITH DISABILITIES ACT GUIDELINES AND ICC ANSI A117.1 ACCESSIBLE AND USABLE BUILDINGS AND FACILITIES - CHECK LOCAL CODES.

Install lavatory 34" (864mm) from finished floor. Lavatory installed 3" (76mm) minimum from front edge of countertop provides 27" (686mm) knee clearance area.

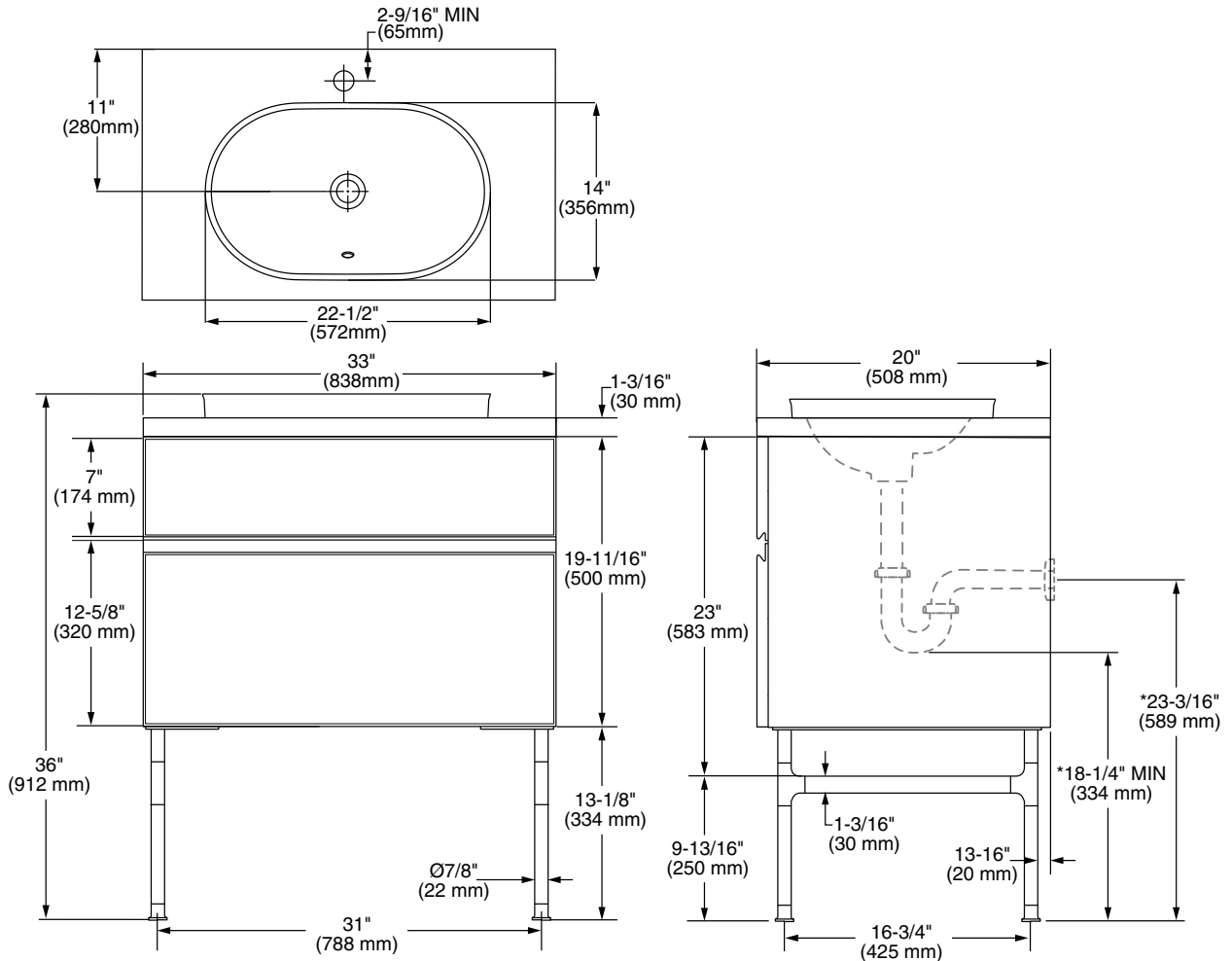
Not compliant when used with optional furniture.

NOTES:

* DIMENSIONS SHOWN FOR LOCATION OF SUPPLIES AND "P" TRAP ARE SUGGESTED. FITTINGS NOT INCLUDED WITH FIXTURE AND MUST BE ORDERED SEPARATELY. FOR COUNTERTOP CUTOUT AND INSTALLATION INSTRUCTIONS USE TEMPLATE SUPPLIED WITH SINK. FURNITURE SPECIFIC INSTRUCTIONS SUPPLIED WITH OPTIONAL FURNITURE.

IMPORTANT: Dimensions of fixtures are nominal and may vary within the range of tolerances established by ANSI Standard A112.19.2. These measurements are subject to change or cancellation. No responsibility is assumed for use of superseded or voided pages.

SINK INSTALLED IN OPTIONAL FURNITURE - SINGLE VANITY OPTION

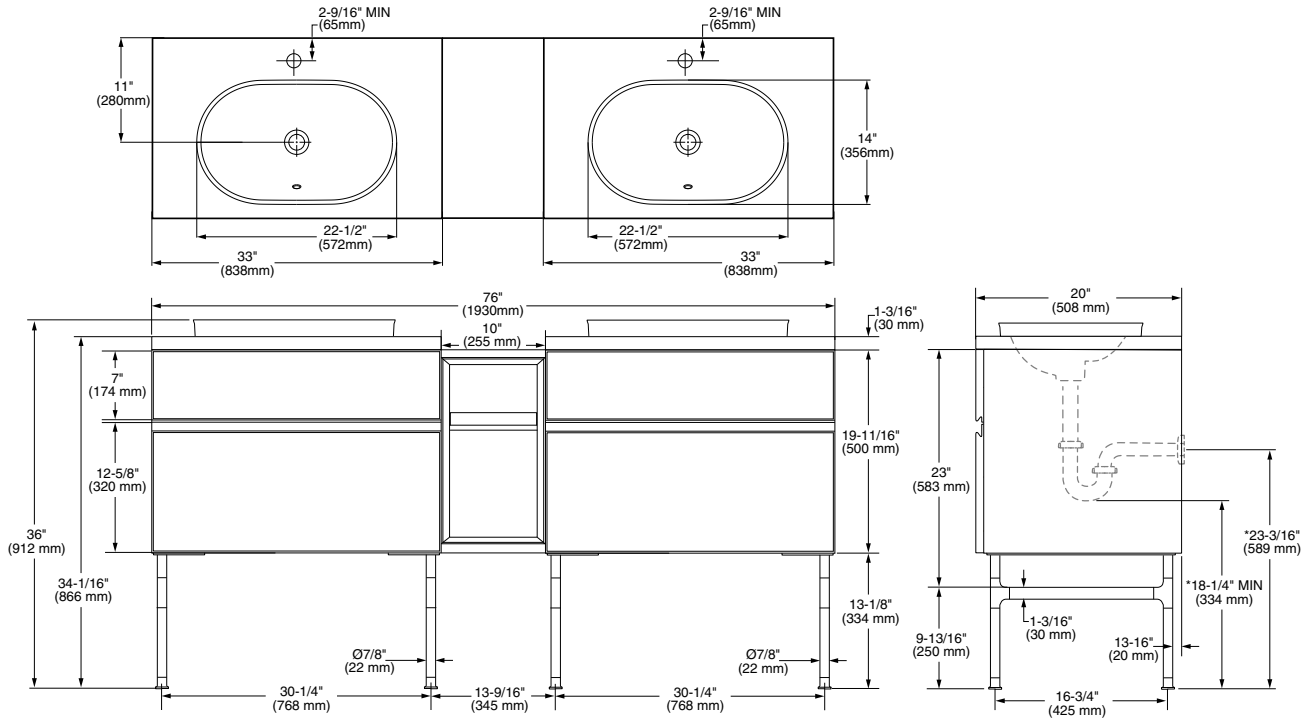


NOTE: Vanity can be installed with optional vanity leg set shown or mounted directly to wall.

NOTES:
 * DIMENSIONS SHOWN FOR LOCATION OF SUPPLIES AND "P" TRAP ARE SUGGESTED.
 FITTINGS NOT INCLUDED WITH FIXTURE AND MUST BE ORDERED SEPARATELY.
 FURNITURE SPECIFIC INSTRUCTIONS SUPPLIED WITH OPTIONAL FURNITURE.

IMPORTANT: Dimensions of fixtures are nominal and may vary within the range of tolerances established by ANSI Standard A112.19.2. These measurements are subject to change or cancellation. No responsibility is assumed for use of superseded or voided pages.

SINK INSTALLED IN OPTIONAL FURNITURE - DOUBLE VANITY WITH VANITY MIDDLE OPTION



NOTE: Vanities can be installed with optional vanity leg set shown or mounted directly to wall.

NOTES:

* DIMENSIONS SHOWN FOR LOCATION OF SUPPLIES AND "P" TRAP ARE SUGGESTED.
FITTINGS NOT INCLUDED WITH FIXTURE AND MUST BE ORDERED SEPARATELY.
FURNITURE SPECIFIC INSTRUCTIONS SUPPLIED WITH OPTIONAL FURNITURE.

IMPORTANT: Dimensions of fixtures are nominal and may vary within the range of tolerances established by ANSI Standard A112.19.2. These measurements are subject to change or cancellation. No responsibility is assumed for use of superseded or voided pages.