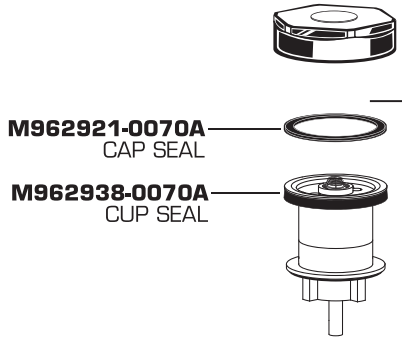


MANUAL FLUSH VALVE

Exposed Flushometer
for Top Spud Urinals

MODEL NUMBERS

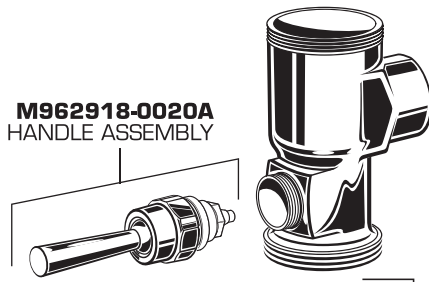
6045 Series
7015 Series



M962921-0070A
CAP SEAL

M962938-0070A
CUP SEAL

M962919-0070800A (MODEL 6045.066)
M962919C-0071000A (MODEL 6045.101, 6045.601, 7015.101)
M962919D-0070500A (MODEL 6045.051, 7015.051)
M962919E-0070130A (MODEL 6045.013, 7015.017)
PISTON ASSEMBLY



M962918-0020A
HANDLE ASSEMBLY

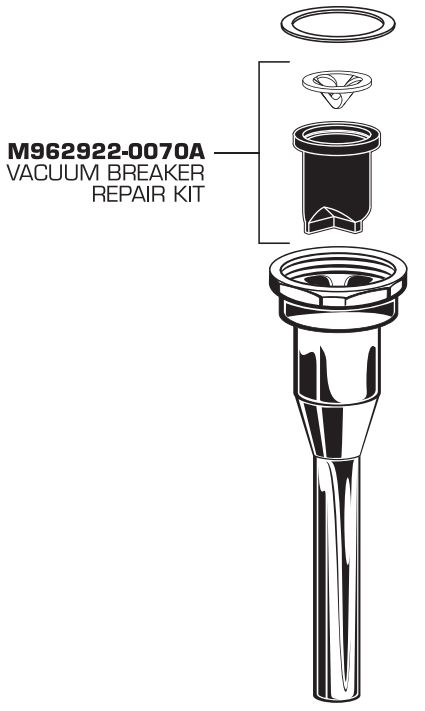


OPTIONAL ADJUSTABLE TAILPIECE
(Purchased Separately)

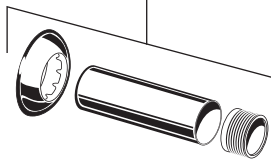
M962836-0020A (8-1/4" to 9-1/4" Rough-in)
M962835-0020A (7-1/4" to 8-1/4" Rough-in)
M962834-0020A (6-1/4" to 7-1/4" Rough-in)
M962833-0020A (5-1/4" to 6-1/4" Rough-in)



M962920-0020A
ADJUSTABLE TAILPIECE
(4-1/4" to 5-1/4" Rough-in)



M962922-0070A
VACUUM BREAKER
REPAIR KIT

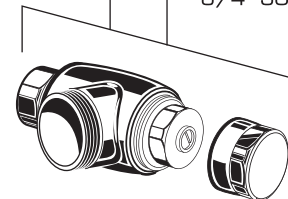


A955057-0020A
1" INLET PIPE ASSEMBLY (FOR 6045.601)

M952261-0020A
3/4" INLET PIPE ASSEMBLY

M964063-0020A
1" SUPPLY STOP
(FOR 6045.601)

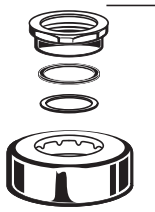
M964064-0020A
3/4" SUPPLY STOP



M964059-0020A
CAP

M952263-0020A
3/4" VACUUM
BREAKER ASSEMBLY

M955062-0020A
1-1/4" VACUUM
BREAKER ASSEMBLY
(FOR 6045.601)



M952262-0020A
3/4" SPUD ASSEMBLY

M952208-0020A
1-1/4" SPUD ASSEMBLY
(FOR 6045.601)



HOT LINE FOR HELP
For toll-free information and answers to your questions, call:
1 (800) 442-1902
Weekdays 8:00 a.m. to 6:00 p.m. EST
IN MEXICO 01-800-839-1200
IN CANADA 1-800-387-0369 (TORONTO 1-905-306-1093)
Weekdays 8:00 a.m. to 7:00 p.m. EST

Product names listed herein are trademarks of AS America, Inc.