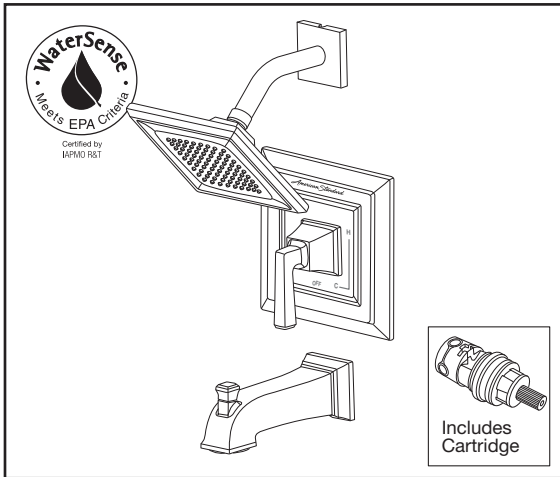




Town Square® S

Water-Saving Pressure Balance Bath/Shower Trim

with Double Ceramic Pressure Balance Cartridge



TU455508 Bath/Shower Trim Shown

GENERAL DESCRIPTION:

Double Ceramic Pressure Balance Cartridge: Features one-piece design with ceramic discs and ceramic spool. Includes integrated check valves and hot limit safety stop. Cartridge is back to back capable. Ceramic spool maintains constant output temperature in response to changes in relative hot and cold supply pressure. Washerless ceramic discs provide smooth handle movement and are unaffected by harsh water conditions. Cycles from "off" to "cold" to "hot".

Trim: Features 6-1/4" water-saving showerhead with a maximum 1.8 gpm/6.8 L/min. flow rate. Metal slip-on diverter spout. Metal wall valve trim with metal lever.

PRODUCT FEATURES

One-Piece Cartridge: Simplifies installation and maintenance.

Double Ceramic Pressure Balance Cartridge: Combination of Ceramic Disc Mixing Valve and a Ceramic Balancing Spool in a one-piece cartridge.

Ceramic Disc Mixing Valve: Assures a lifetime of drip-free performance and smooth handle operation.

Ceramic Balancing Spool: Maintains a constant output temperature in response to changes in relative hot and cold supply pressure. Ceramic material is unaffected by mineral deposits and harsh water conditions.

Integrated Check Valves: Engineered to eliminate cross flow.

Adjustable Hot Limit Safety Stop: Limits the amount of hot water allowed to mix with cold. Reduces the risk of accidental scalding.

Comfort Zone: Offers a wider shower range to fine tune the desired temperature within the useful temperature zone.

Back-to-Back Capability: Hot and cold can be reversed quickly and easily.

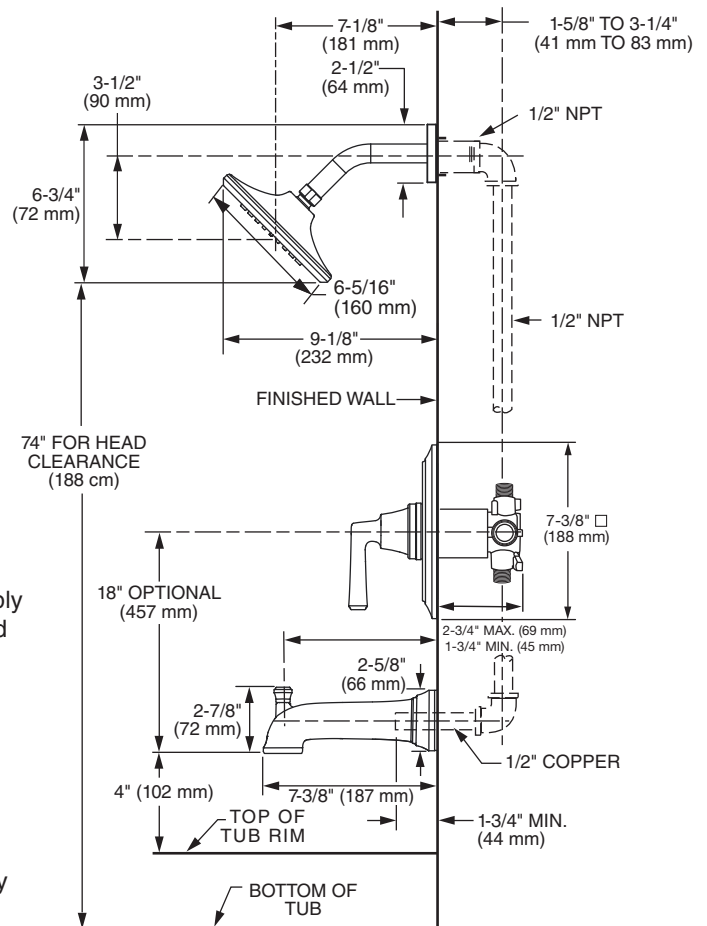
Water Saving: Saves 28% water usage.

MODEL NUMBER:

TRIM KITS:

- TU455508 Town Square S Bath/Shower Trim Kit with Pressure Balance Cartridge
Lever handle. Water-saving showerhead. LESS valve body.
- TU455507 Town Square S Shower ONLY Trim Kit with Pressure Balance Cartridge
Lever handle. Water-saving showerhead. LESS valve body.

For use with Flash™ Rough Valve Bodies



SUGGESTED SPECIFICATION

Bath/shower fitting shall feature water saving showerhead with Max. 1.8 gpm/6.8 L/min. flow rate. Shall feature double ceramic pressure balance cartridge which is capable of back-to-back installation. Cartridge shall feature integrated check valves to eliminate cross flow. Capable of meeting ASSE1016 @1.3gpm. Cartridge shall also feature hot limit safety stop. Fitting shall be: American Standard - Trim Kit Model # TU45550_ and Flash Valve Body Model # RU10_.



Town Square®S

Water-Saving Pressure Balance Bath/Shower Trim

with Double Ceramic Pressure Balance Cartridge

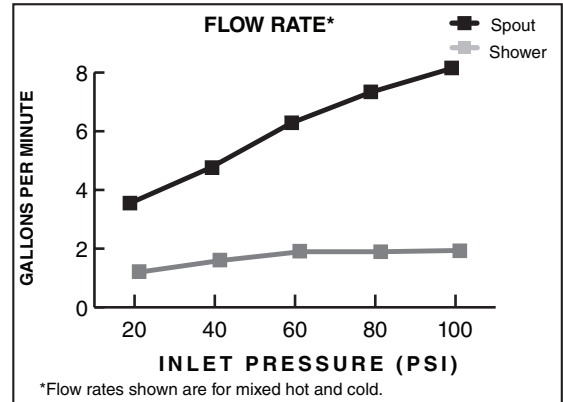
CODES AND STANDARDS


These products meet or exceed the following codes and standards:

ASSE 1016 / ASME A112.18.1016 / CSA B125.16

ASME A112.18.1 / CSA B125.1

Rated to meet ASSE 1016 @ 1.3gpm



| TRIM KITS * | Product Number | Description | Finish Options | | | |
|-------------|--|-------------|-----------------|---------------------|---------------|--------------------|
| | | | Polished Chrome | PVD Polished Nickel | Legacy Bronze | PVD Brushed Nickel |
| | | | 002 | 013 | 278 | 295 |
| TU455508 | Bath/Shower Trim Kit. Metal lever handle. Water-saving showerhead. LESS valve body. | | | | | |
| TU455507 | Shower Only Trim Kit. Metal lever handle. Water-saving showerhead. LESS valve body.  | | | | | |

* TRIM & ROUGH MUST BE ORDERED SEPARATELY.

| Flash™ ROUGH VALVE BODIES | Product Description | Without Screwdriver Stops | With Screwdriver Stops |
|--|---------------------|--|------------------------|
| | | Rough Valve Body. Universal* inlets/outlets. | RU101 |
| Rough Valve Body. Stub-out inlets/outlets for Press-Fit Fittings. | RU102 | RU102SS | |
| Rough Valve Body. PEX inlets/Universal outlets for Crimp Ring PEX system (ASTM F1807). | RU107 | RU107SS | |
| Rough Valve Body. PEX Elbow inlets/Universal outlets for Crimp Ring PEX system (ASTM F1807). | RU107E | RU107ESS | |
| Rough Valve Body. PEX inlets/Universal outlets for Cold Expansion PEX system (ASTM F1960). | RU108 | RU108SS | |
| Rough Valve Body. PEX Elbow inlets/Universal outlets for Cold Expansion PEX system (ASTM F1960). | RU108E | RU108ESS | |
| Rough Valve Body. CPVC inlets/Universal outlets. | RU109 | RU109SS | |

| OPTIONAL ACCESSORY | Product Number | Product Description |
|--------------------|----------------|---------------------|
| | M954805-0070A | Deep Rough-In Kit |

 Meets the American Disabilities Act Guidelines and ANSI A117.1 Requirements for the physically challenged.

PART OF **LIXIL**