



MODEL NUMBER:

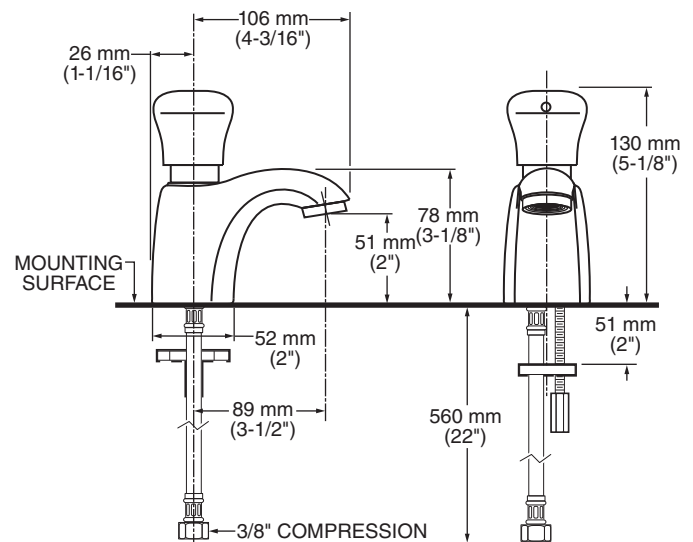
- ❑ **1340.105** Cast spout, 1.0 GPM pressure compensating vandal-resistant aerator.
- ❑ **1340M.105** Same as above with mechanical mixing valve.
- ❑ **OPTIONAL 4" or 8" Deck plates**
 - 605P.400 4" brass deck plate with 1/4" fixation studs and quick spin nuts. (6-1/8" x 2-1/8" x 1/2")
 - 605P.800 8" brass deck plate with 1/4" fixation studs and quick spin nuts. (10-1/8" x 2-3/8" x 1/2")

GENERAL DESCRIPTION:

Metering pillar tap faucet. Vandal resistant solid brass construction. Easy-push handle. Water conserving pressure compensating 1.0 GPM aerator. Factory set for a maximum of 0.17 gallon flow per activation. Replaceable cartridge. Adjustable flow cycle.

PRODUCT FEATURES:

- **Pressure Compensating Aerator:** Provides a constant water flow of 1.0 gpm throughout the pressure range.
- **Vandal-Resistant Brass Construction and Aerator:** Durable - Excellent in high use applications.
- **Automatic Shut-off:** Stops water and energy waste. Ideal for public restrooms where uncontrolled water usage is costly.
- **Meets ADA Standard:** Requires less than 5 lbs. of operating force to initiate flow per ANSI A117.1.
- **Single Supply:** For cold or tempered water.
- **Adjustable Flow Cycle**
- **Replaceable Valve Cartridge:** Facilitates simple replacement.
- **Optional Mixing Valves:** (sold separately)
 - Mechanical (Model # 021943-0070A)
 - Thermostatic (Model # 605XTMV1070)
- **Flexible Supply Hose:** With 3/8" Compression Connection
- **Optional 4" or 8" Deck Plate**
- **Meets CALGreen**
- **Lead Free:** Faucet contains ≤ 0.25% total lead content by weighted average.
- **Minimum Operating Pressure:** 20 psi



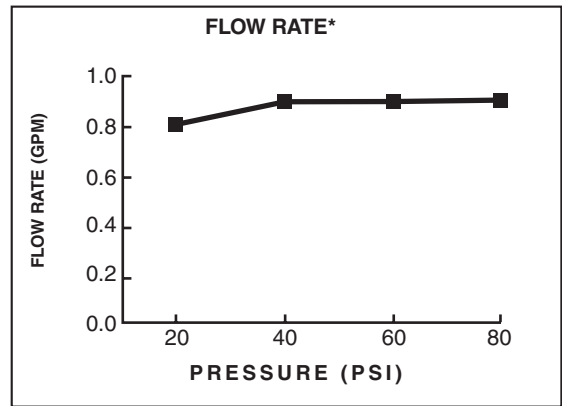
SUGGESTED SPECIFICATION

Metering faucet shall feature a single handle vandal-resistant brass construction with a replaceable valve cartridge and an adjustable flow cycle. Shall also feature a water-conserving pressure compensating 1.0 gpm/3.8L/min vandal-resistant aerator. Factory set to maintain flow below the maximum 0.17 gallons per cycle required by ANSI A112.18.1M. Push button activator shall meet ANSI A117.1 Standard. Fitting shall be American Standard Model # 1340.105.002.

CODES AND STANDARDS

These products meet or exceed the following codes and standards:

- ANSI A117.1**
- ASME A112.18.1**
- CSA B125**
- NSF 372**



ADA Meets the American Disabilities Act Guidelines
ANSI A117.1 Requirements for the accessible
 and usable building facilities - check local codes.

Other Aerators Available:

Part Suffix	Description
V15	1.5 gpm (5.7 Lpm) PCA Vandal-Resistant Aerator

*PCA - Pressure Compensating