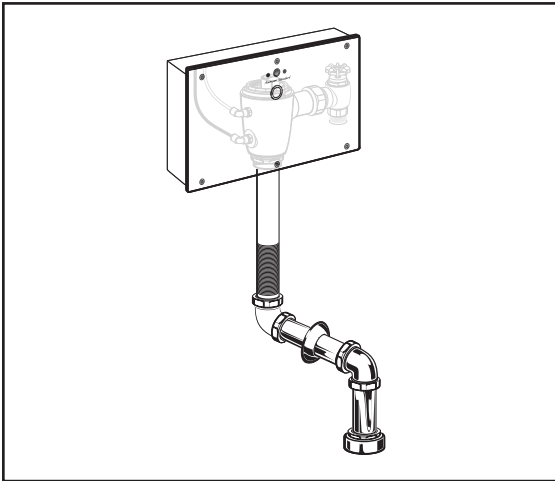


SELECTRONIC® SENSOR OPERATED CONCEALED TOILET FLUSH VALVE WITH WALL BOX FOR 1-1/2", TOP SPUD BOWLS



GENERAL DESCRIPTION:

Concealed, Sensor Operated Selectronic Toilet Flush Valve with Wall Box (Front Access) for 1-1/2" top spud bowls.

PRODUCT FEATURES:

- **Self-Cleaning Piston** with integral wiper spring significantly reduces clogging and maintenance
- **Selectronic Proximity System** with universal sensor provides hygienic, "hands free" operation
- **State-of-the-Art Electronics** prevent ghost flushing
- **Dezincification Resistant** brass alloy
- **Fully Mechanical Manual Override Button** can flush the valve without power
- **Fail-Safe:** Valve automatically closes upon loss of power or water pressure and does not need to be reset
- **Adjustable Sanitary Flush** cleans the fixture & maintains the trap seal.
- **Chemical resistant EPDM Seals** for extended life
- **Adjustable tailpiece for rough-in flexibility**
- **Can be installed left or right handed**
- **All exposed parts are chrome-plated**

INCLUDES:

- 1" I.P.S. angle stop with back-flow protection and hand wheel
- 1" Sweat solder adapter
- 1-1/2" Vacuum breaker with spud coupling and flange

SUGGESTED SPECIFICATION

Electronic, sensor activated toilet flush valve for 1-1/2" top spud bowl shall feature self-cleaning piston valve with integral wiper spring in refill orifice to prevent clogging. Shall feature a fully mechanical manual override that can flush the valve without power. Shall also feature a dezincification-resistant brass valve body and vandal-resistant stainless steel wall box that includes the sensor and manual override button. Includes angle stop with back-flow protection and hand wheel. Sweat solder adapter and vacuum breaker also included. Must be installed and maintained from the front. Flush Valve shall be American Standard Model # 606B_3_3.007.

BASE MODEL: (Does Not include Power Supply)



- 606B.313** Base Model, 1.1 gpf/4.2 Lpf
FRONT ACCESS
Fully mechanical manual override
Vandal-resistant, stainless steel wall box



- 606B.323** Base Model, 1.28 gpf/4.8 Lpf
SAME AS ABOVE
- 606B.363** Base Model, 1.6 gpf/6.0 Lpf
SAME AS ABOVE

POWER KITS: (Must be Purchased Separately)

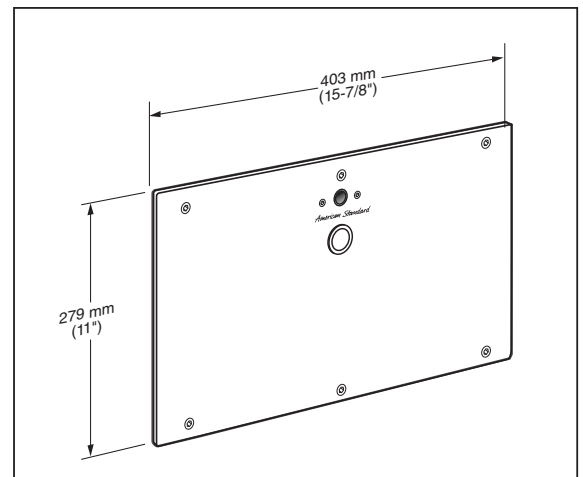
- PK00.CRP** CR-P2 lithium battery and holder
- PK00.WRK** PWRX™ 10-Year battery pack and holder
- PK00.PAC** Plug-In AC transformer and Single AC adapter
- PK00.HAC** Hard-Wired AC transformer, 10' extension cable and Single AC adapter
- PK00.MAC** Multi-AC adapter and 10" extension cable

OPERATING PRESSURE:

25 psi (flowing) - 80 psi (static)

FLOW REQUIREMENT:

25 gpm/94.6 L/min



ADA COMPLIANT

LISTINGS:

- ASSE 1037
- ANSI/ASME A112.19.2
- ADA Compliant

