

WALL HUNG CLINIC SERVICE SINK

☐ **9512.999.020**

- Vitreous china
- Wall-hung
- Flushing rim
- Blow-out operation
- 1/2" top spud
- White only

FLUSH VOLUME: 6.5 gpf / 24.6 Lpf

OPERATING PRESSURE: 25 psi (flowing) - 80 psi (static)

FLOW REQUIREMENT: 25 gpm (96.6 L/min.)

Available Components:

- ☐ **7832512.075****** Side stainless steel rim guard (2)
- ☐ **7832504.075****** Front stainless steel rim guard (1)

Nominal Dimensions:

641 x 537mm
(25-1/4" x 21-1/8")

NOTES:

- ☐ Fixture conforms to ANSI/ASME A112.19.2M standards
- ☐ Optional one, two or three rim guards available when specified and ordered accordingly (not shown)
- ☐ Flush valve specifications: Flush valve with vacuum breaker, 1" angle screwdriver stop and flush connection.

FLUSH VALVE RECOMMENDATION:

American Standard 6047117.002 or equivalent

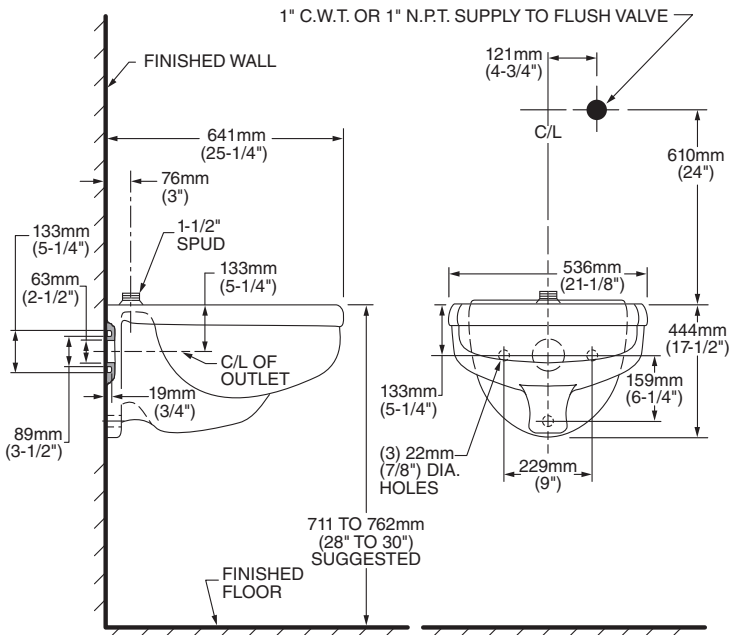
OPTIONAL ACCESSORIES

- ☐ Bedpan Diverter: American Standard 6047800.002 / 6047815.002 or equivalent
- ☐ Service Sink Faucet: American Standard 8345.115 or equivalent

NOTES:

- * VARIABLE-CHECK WITH MANUFACTURER OF FLUSHVALVE FOR PROPER ROUGHING-IN DIMENSIONS.
- ** VARIABLE-CHECK WITH MANUFACTURER OF SERVICE SINK FAUCET FOR PROPER ROUGHING-IN DIMENSIONS.
- *** MUST BE MAINTAINED FOR PROPER ROUGH-IN OF THE CHAIR CARRIER. (CARRIER SUPPLIED BY OTHERS).
- **** TO ENSURE THE BEST RIM GUARD FIT ON 9512.999, ORDER TWO OF 7832512.075 FOR THE SIDES AND ONE 7832504.075 FOR THE FRONT. (CARRIER SUPPLIED BY OTHERS)

IMPORTANT: Roughing-in dimensions may vary 1/2" and are subject to change or cancellation without prior notice. No responsibility is assumed for use of superseded or voided leaflets.



Available in White Only