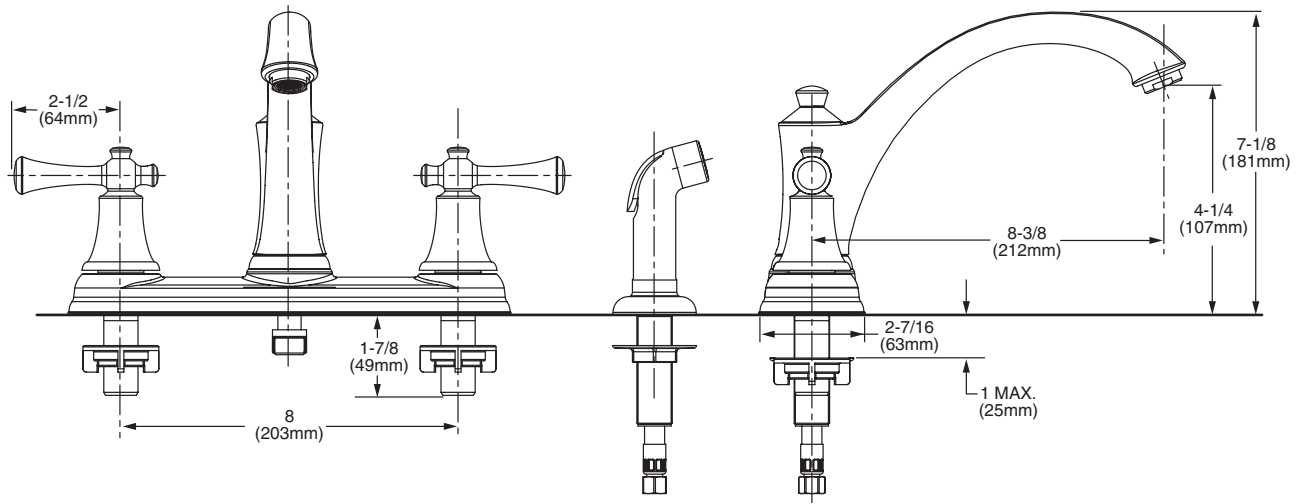




4040 Shown.

MODEL NUMBER:

- 4040 Kitchen Faucet**
 Metal Lever Handles. Separate Handspray.
 Polished Chrome finish.



GENERAL DESCRIPTION:

Kitchen faucet on 8" centers. 1/4 turn washerless ceramic disc valve cartridges - reversible for use on either "hot" or "cold" side. Durable cast brass waterway with 1/2" male inlet shanks. 8-3/8 (212mm) long cast brass swivel spout. Metal escutcheon plate (escutcheon size 10-7/16"L x 2-7/16"W). 2.2gpm/8.3L/min. maximum flow rate. Metal lever handles.

PRODUCT FEATURES:

- Ceramic Disc Valve Cartridges:** Assures a lifetime of smooth handle operation and drip-free performance.
- Cast Brass Waterways with:** Strong and durable. Integral tabs on casting provide a wobble-free installation.
- Low Lead:** Meets NSF Standard 61/Section 9 & Prop 65 lead requirements.
- Simple Installation:** Fast and easy one person installation. Faucet drops in from top. Quick spin nuts secure faucet in place.
- Choice of Finishes:** Lifetime finishes won't tarnish or scratch.
- Lifetime Warranty:** On function and finish.

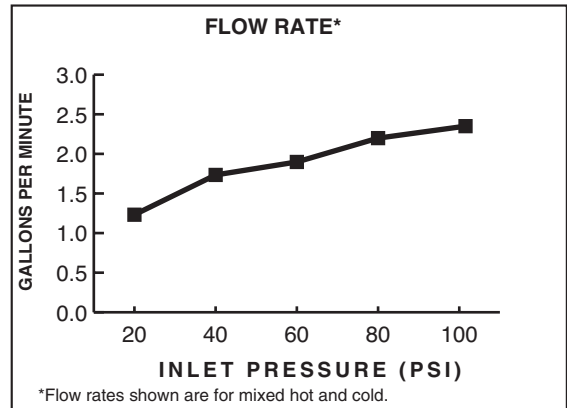
SUGGESTED SPECIFICATION:

Two handle kitchen faucet shall feature a cast brass waterway and cast brass swivel spout. Shall also feature 1/4 turn washerless ceramic disc valve cartridges that are reversible for use on either "hot" or "cold" side. Fitting shall be American Standard Model # 4040.

CODES AND STANDARDS

These products meet or exceed the following codes and standards:

- ASME A112.18.1**
- CSA B 125**
- NSF 61/Section 9**
- ANSI A117.1**



Product Number	Description
4040	Kitchen faucet. Metal Lever handles. Separate Handspray. Polished Chrome finish.



Meets the American Disabilities Act Guidelines and **ANSI A117.1** Requirements for the physically challenged.