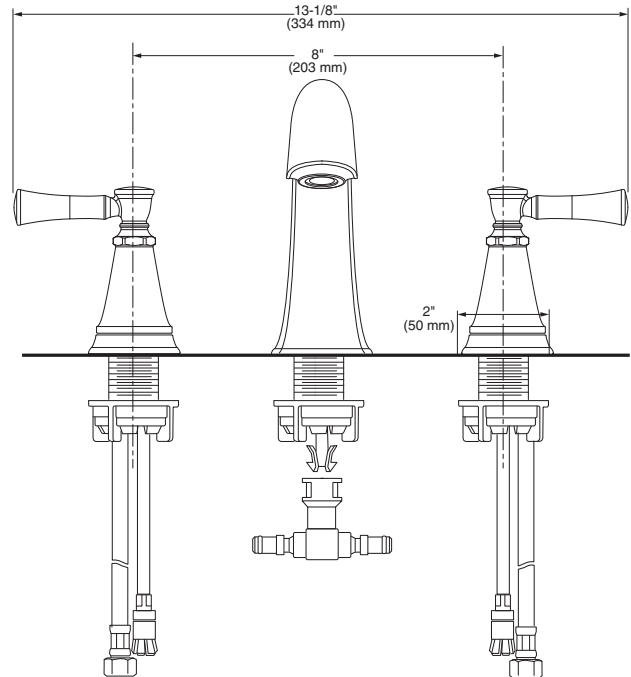


### MODEL NUMBER:

- 7022801.002 Chrome finish.
- 7022801.295 Brushed Nickel finish.



### Easily Snaps Together for Watertight Connection

SPEED CONNECT® HOSES

Reliable For Life



### Easier Installation

SPEED CONNECT® DRAIN

Reliable For Life



### Supply Lines Included

Reliable For Life

Effortless elegance, leading-edge style and thoughtful innovation combine to make American Standard faucets the perfect choice for those who are unwilling to sacrifice style for performance.

### GENERAL DESCRIPTION:

Non-metal valve bodies with reinforced brass sleeves and flexible hose connections for 6" to 12" (152 to 305 mm) installations. 1/4 turn washerless ceramic disc valve cartridges. Speed Connect drain with 1-1/4 inch (32 mm) tail piece. 1.2 gpm/4.5 L/min. maximum flow rate.

### PRODUCT FEATURES:

- Speed Connect Installation System
  - Pre-assembled handles
  - Speed Connect Hoses
- Durable easy to clean.
- Ceramic Disc Valve Cartridges: Assures a lifetime of smooth handle operation and drip-free performance.
- Supply lines included.
- Lead Free: Faucet contains ≤0.25% total lead content
- Choice of Finishes: Chrome, and Brushed Nickel

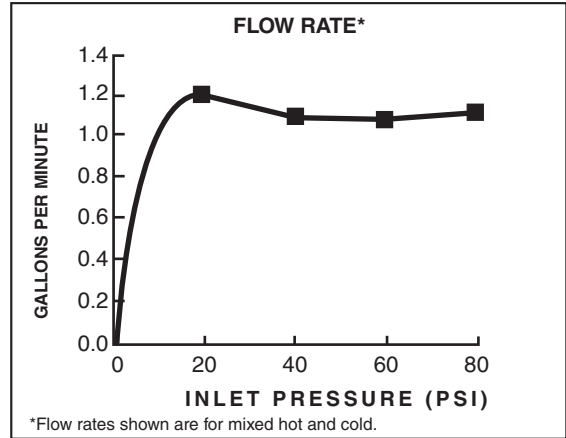
### SUGGESTED SPECIFICATION:

2-Handle widespread bath faucet shall feature metal spout and metal lever handles. Shall also feature 1/4 turn washerless ceramic disc valve cartridges. Shall also feature Speed Connect Installation System. Shall also feature a non-metal Speed Connect Drain. Fitting shall be American Standard Model # 7022801.002. Model # 7022801.295.


**CODES AND STANDARDS**

These products meet or exceed the following codes and standards:

- ANSI A117.1**
- ASME A112.18.1**
- CSA B125.1**
- NSF 61/Section 9**
- NSF 372**



Product Number	Description
7022801.002	Widespread lavatory. Metal lever handles. Speed Connect drain. Chrome finish.
7022801.295	Widespread lavatory. Metal lever handles. Speed Connect drain. Brushed Nickel finish.

 Meets the American Disabilities Act Guidelines  
**ANSI A117.1** Requirements for the physically challenged.