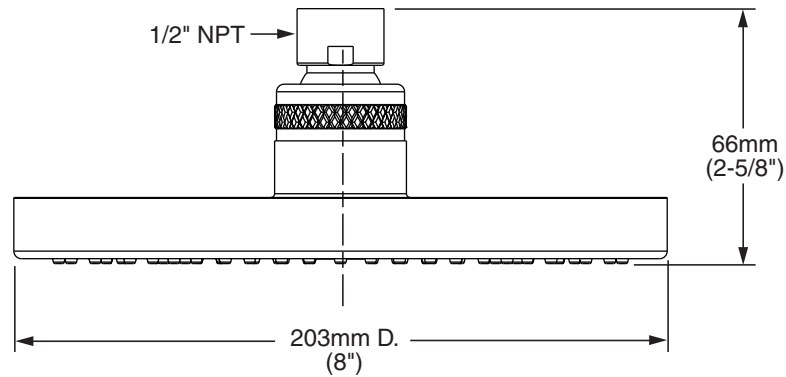


MODEL NUMBER:

❑ 1660682 8" (203mm) Modern Rain Showerhead Only



GENERAL DESCRIPTION:

8" (203mm) rain showerhead. Plastic construction. Drenching rain spray pattern. Brass ball joint. Easy clean spray nozzles. 1/2" NPT connection. 2.15gpm/9.5L/min. maximum flow rate.

PRODUCT FEATURES:

Drenching Rain Spray Pattern: Gives the user a drenching shower similar to a rain downpour.

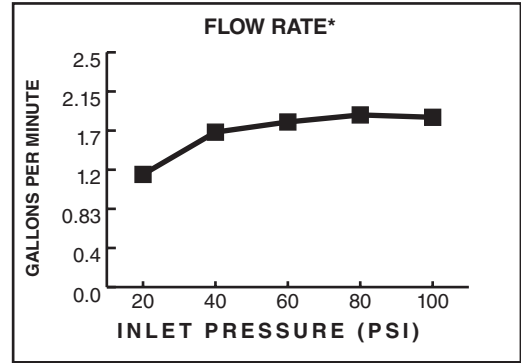
Plastic Construction: Durable. Easy to clean. Ideal for prolonged contact with water.

Easy Clean Spray Nozzles: Easily clean lime and calcium buildup. Nozzles will not clog.




CODES AND STANDARDS

These products meet or exceed the following codes and standards:

ASME A112.18.1
IAPMO (cUPC)



Product Number	Description	Finish Options
		Polished Chrome
1660682	8" (203mm) Modern Rain Showerhead Only	002

Showerhead Accessories		
Product Number	Description	
1660187	6" (152mm) Ceiling Mount Shower Arm	
1660104	3" (76mm) Ceiling Mount Shower Arm	
1660191	Square Shower Arm Escutcheon	
1660119	18" (457mm) Wall Mount Right Angle Shower Arm	