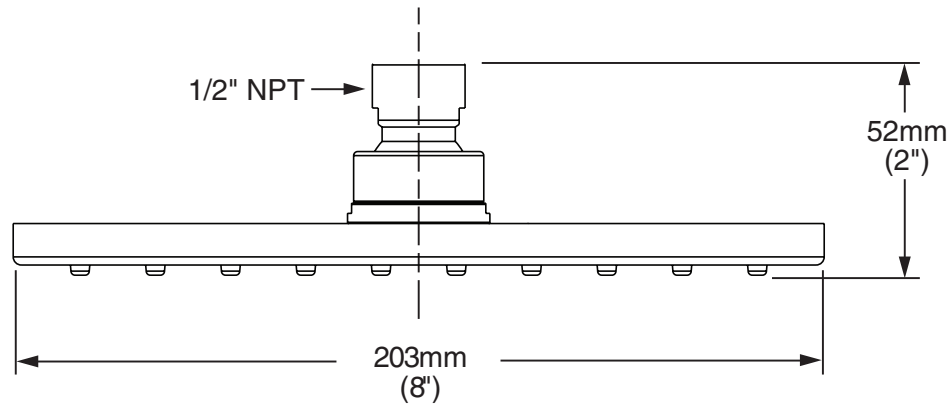


MODEL NUMBER:

❑ **1660689** 8" (203 mm) Square Plastic Rain Showerhead only



GENERAL DESCRIPTION:

8" (203mm) rain showerhead. Plastic construction. Drenching rain spray pattern. Brass ball joint. Easy clean spray nozzles. 1/2" NPT connection. 1.7gpm/7.6L/min. maximum flow rate.

PRODUCT FEATURES:

Drenching Rain Spray Pattern: Gives the user a drenching shower similar to a rain downpour.

Plastic Construction: Durable. Easy to clean. Ideal for prolonged contact with water.

Pressure Compensating Flow Control Device: Provides consistent Flow over a wide pressure range.

Easy Clean Spray Nozzles: Easily clean lime and calcium buildup. Nozzles will not clog.

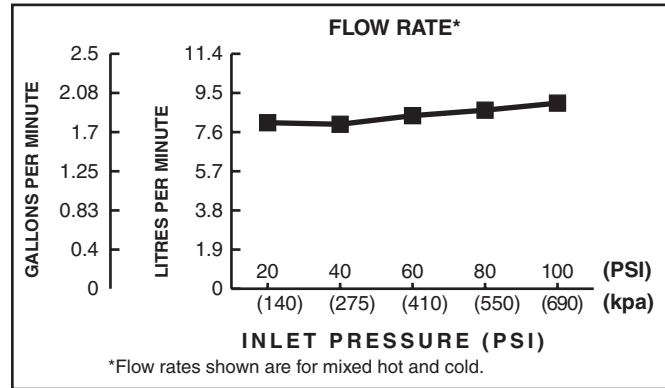
SUGGESTED SPECIFICATION:

Showerhead shall have rain spray pattern and brass ball joint. Showerhead shall have a pressure compensating control device. Showerhead shall be American Standard Model # 1660689.____.

CODES AND STANDARDS



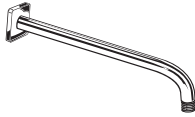
These products meet or exceed the following codes and standards:

ASME A112.18.1
IAPMO (cUPC)



Product Number	Description	Finish Option
		Polished Chrome
		002
1660689	8" (203mm) Square Plastic Rain Showerhead Only	

Showerhead Accessories

Product Number	Description	
1660 104	3" (76mm) Ceiling Mount Shower Arm	
1660 187	6" (152mm) Ceiling Mount Shower Arm	
1660 119	18" (457mm) Wall Mount Right Angle Shower Arm	
1660 191	Square Shower Arm Escutcheon	