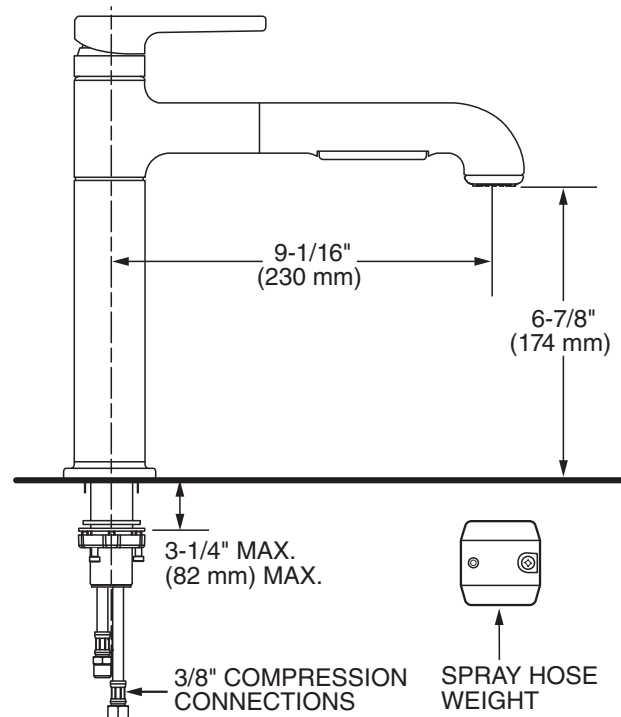


MODEL NUMBER:

❑ **4803100 Pull-Out Dual-Spray Kitchen Faucet**

Stainless Steel, Chrome, & Matte Black Finish.



GENERAL DESCRIPTION:

Thoughtful design makes all the difference in the presence and performance of the Studio S Pull-Out Dual-Spray Kitchen Faucet from American Standard. Contemporary cylinder profile is the ideal height for smaller sink areas while providing ample clearance for filling pots with ease. The pull-out spray head features a toggle to switch from stream to powerful spray functions, making every task quick and easy. Studio S is engineered to ensure drip-free performance and add distinction to your kitchen design.

PRODUCT FEATURES:

- Dual-function spray head offers stream and forceful sprays for optimal rinsing
- Profile is designed to accommodate many kitchen configurations
- Wipe-clean, one-piece lever handle eliminates tiny crevices where build-up hides
- Dock-Tite magnetic docking system secures the spray head in place
- Swivel spout for added functionality and convenience rotates 120°
- Rubber spray nozzles wipe clean easily with your fingertip
- Drip-free performance with high quality ceramic disc valve
- Durable brass and metal construction
- Pre-installed braided nylon supply lines
- Limited lifetime warranty

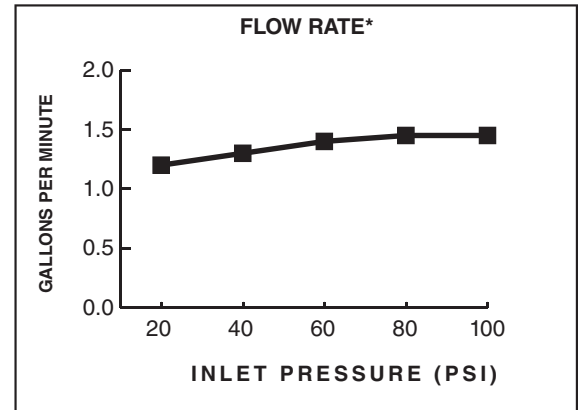
SUGGESTED SPECIFICATION

Single control kitchen pull-out faucet shall feature a Dual-function spray head and metal lever handle. Shall also feature 28 mm washerless ceramic disc valve cartridge and 38" flexible supply hoses. Faucet shall include Dock-Tite™ technology. Faucet shall be American Standard Model # 4803100.____.

CODES AND STANDARDS

These products meet or exceed the following codes and standards:

- ANSI A117.1**
- ASME A112.18.1**
- CSA B125.1**
- NSF 61/Section 9**
- NSF 372**

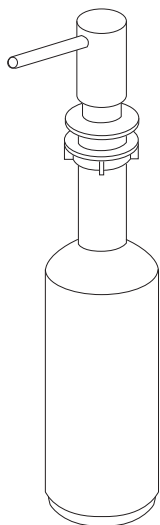


Product Number	Description	Finish Options		
		Polished Chrome	Stainless Steel	Matte Black
		002	075	243
4803100	Single control kitchen pull-out faucet shall feature a Dual-function spray head and metal lever handle. Featuring and Dock-Tite™ technology. Soap dispenser and deckplate not included.			

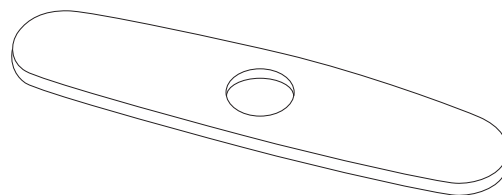
Meets CSA B651 Barrier Free code. Check local codes.

Meets the American Disabilities Act Guidelines and **ANSI A117.1** Requirements for the physically challenged.

Soap Dispenser & Deckplate (Not Included)



4503120



1660152