

CADET™ EVERCLEAN® ROUND COUNTERTOP SINK

- European-styled interior bowl
- Made from vitreous china
- Super smooth EverClean® surface keeps dirt and toiletries from accumulating and inhibits the growth of stain and odor causing bacteria, mold, and mildew on the surface
- Self-rimming with cutout template supplied
- Front overflow

0427.444EC Faucet holes on 4" (102mm) centers (illustrated)

0427.888EC Faucet holes on 8" (203mm) centers



Nominal Dimensions:

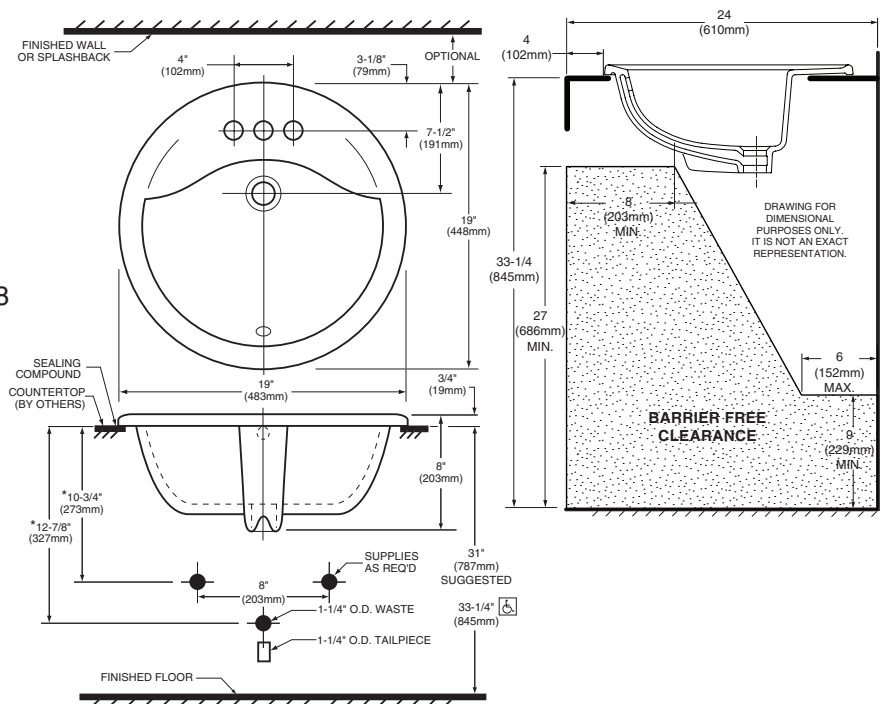
19" dia. (483mm) Round

Bowl sizes:

15-1/4" (387mm) wide
12-1/4" (311mm) front to back
6" (152mm) deep

Compliance Certifications - Meets or Exceeds the Following Specifications:

- ASME A112.19.2 - 2008/CSA B45.1-08



To Be Specified:

- Color: White Bone Linen Silver Black
- Faucet*:
- Faucet Finish:
- Supplies:
- 1-1/4" Trap:

* See faucet section for additional models available

MEETS THE AMERICANS WITH DISABILITIES ACT GUIDELINES AND ANSI A117.1 ACCESSIBLE AND USABLE BUILDINGS AND FACILITIES - CHECK LOCAL CODES.

Install lavatory 864mm (34") from finished floor.
Lavatory installed 51mm (2") minimum from front edge of countertop provides 686mm (27") knee clearance area.

NOTES:

* DIMENSIONS SHOWN FOR LOCATION OF SUPPLIES AND "P" TRAP ARE SUGGESTED.
FOR COUNTERTOP CUTOUT AND INSTALLATION INSTRUCTIONS USE TEMPLATE SUPPLIED WITH SINK.
FITTINGS NOT INCLUDED WITH FIXTURE AND MUST BE ORDERED SEPARATELY.
SEALING COMPOUND SUPPLIED BY OTHERS.

IMPORTANT: Dimensions of fixtures are nominal and may vary within the range of tolerances established by ANSI Standard A112.19.2. These measurements are subject to change or cancellation. No responsibility is assumed for use of superseded or voided pages.

CADET™ EVERCLEAN® OVAL COUNTERTOP SINK

- European-styled interior bowl
- Made from vitreous china
- Super smooth EverClean® surface keeps dirt and toiletries from accumulating and inhibits the growth of stain and odor causing bacteria, mold, and mildew on the surface
- Self-rimming with cutout template supplied
- Front overflow

- 0419.444EC** Faucet holes on 4" (102mm) centers
- 0419.888EC** Faucet holes on 8" (203mm) centers (illustrated)



Nominal Dimensions:

21" x 17-5/8"
(533 x 448mm)

Bowl sizes:

16-1/2" (419mm) wide
11" (279mm) front to back
5-5/8" (143mm) deep

Compliance Certifications - Meets or Exceeds the Following Specifications:

- ASME A112.19.2 - 2008/CSA B45.1-08

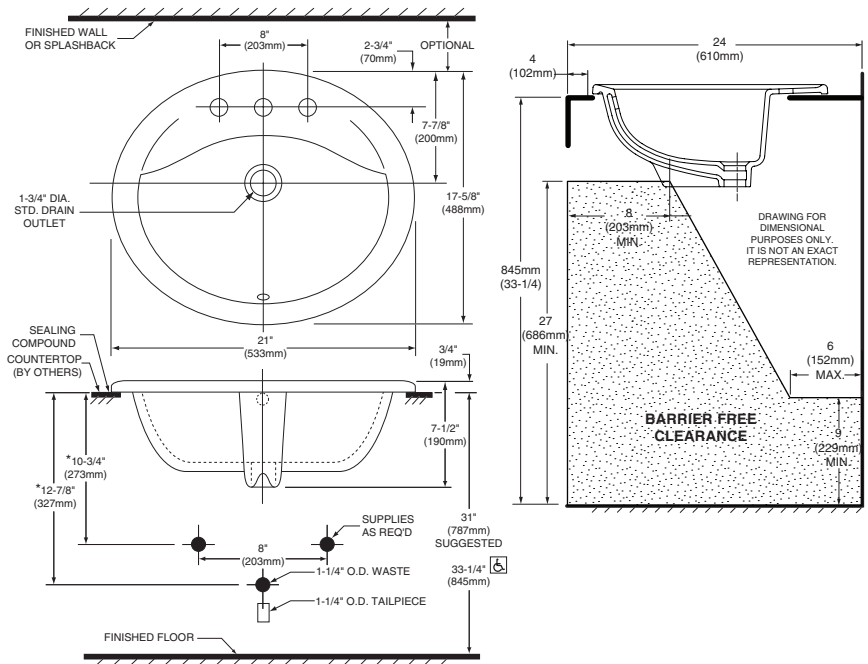
To Be Specified:

- Color: White Bone
 Linen Silver
 Black
- Faucet*:
- Faucet Finish:
- Supplies:
- 1-1/4" Trap:

* See faucet section for additional models available

MEETS THE AMERICANS WITH DISABILITIES ACT GUIDELINES AND ANSI A117.1 ACCESSIBLE AND USABLE BUILDINGS AND FACILITIES - CHECK LOCAL CODES.

Install lavatory 864mm (34") from finished floor.
Lavatory installed 51mm (2") minimum from front edge
of countertop provides 686mm (27") knee clearance area.



NOTES:

* DIMENSIONS SHOWN FOR LOCATION OF SUPPLIES AND "P" TRAP ARE SUGGESTED.
FOR COUNTERTOP CUTOUT AND INSTALLATION INSTRUCTIONS USE TEMPLATE SUPPLIED WITH SINK.
FITTINGS NOT INCLUDED WITH FIXTURE AND MUST BE ORDERED SEPARATELY.
SEALING COMPOUND SUPPLIED BY OTHERS.

IMPORTANT: Dimensions of fixtures are nominal and may vary within the range of tolerances established by ANSI Standard A112.19.2. These measurements are subject to change or cancellation. No responsibility is assumed for use of superseded or voided pages.