

**CADET™ PLUS SINK WITH PEDESTAL**

- Vitreous china sink and pedestal
- Rear overflow
- Faucet deck with generous shelf area
- Supplied with mounting kit
- **Style coordinates with Cadet toilets**

- 0236 441** Faucet holes on 102mm (4") centres
- 0236 841** Faucet holes on 203mm (8") centres
- 0236 141** Centre Hole Only (Illustrated)

**Nominal Dimensions:**

622 x 502 x 889mm  
(24-1/2" x 19-3/4" x 35")

**SEPARATE COMPONENT PARTS:**

- 0236 004** Pedestal Top - 102mm (4") centres
- 0236 008** Pedestal Top - 203mm (8") centres
- 0236 001** Pedestal Top - Centre hole only (Illustrated)
- 0041 000** Pedestal base only

**Bowl Sizes:**

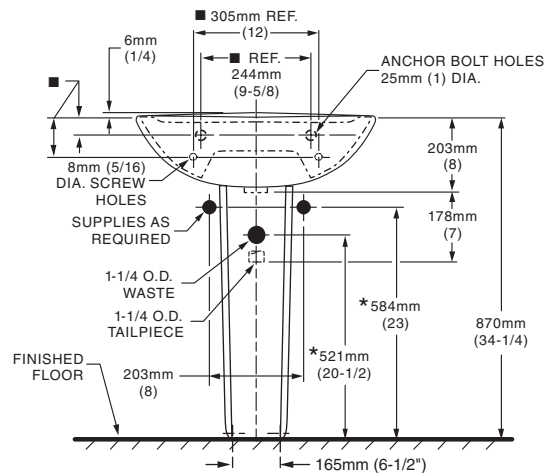
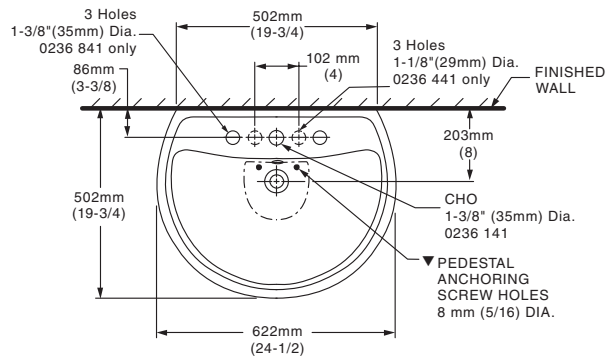
508mm wide, 305mm front to back, 152mm deep (20" wide, 12" front to back, 6" deep)

**Compliance Certifications - Meets or Exceeds the Following Specifications:**

- ASME A112.19.2M for Vitreous China Fixtures.
- CAN/CSA B45 Series.

**To Be Specified**

- Colour:  White  Bone  Linen
- Faucet\*:
- Faucet Finish:
- Supplies & Stops:
- Trap 1-1/4" (32 mm):



**NOTES:**

★ DIMENSIONS SHOWN FOR LOCATION OF SUPPLIES AND "P" TRAPS ARE SUGGESTED.  
▼ PEDESTAL ANCHORING SCREWS NOT INCLUDED. INSTALLATION INSTRUCTIONS SUPPLIED WITH BASIN.  
■ SUITABLE FOR REINFORCEMENT ONLY. ACTUAL DIMENSIONS MUST BE TAKEN FROM FIXTURE.  
FAUCETS NOT INCLUDED AND MUST BE ORDERED SEPARATELY. PROVIDE SUITABLE REINFORCEMENT FOR ALL WALL SUPPORTS.  
IMPORTANT: Dimensions of fixtures are nominal and may vary within the range of tolerance established by ANSI Standard A112.19.2  
These measurements are subject to change or cancellation. No responsibility is assumed for use of superseded or voided pages.

\* See faucet section for additional models available