

ICU SINK SYSTEM WITH SELECTRONIC® ICU FAUCET

- 9118 AC** ICU Sink System with AC powered Selectronic® Faucet (6056193.002)
- 9118 DC** ICU Sink System with DC (battery) powered Selectronic® Faucet (6055193.002)
- 9118 111** ICU Sink (fixture only with drain and p-trap)
- 9118 911** ICU Sink (fixture only, **less** drain, **less** p-trap)

SINK:

- Vitreous china
- Permanent EverClean® surface inhibits the growth of stain & odor causing bacteria, mold & mildew
- Deep basin & sloped ledges minimize splashing
- Sink drain is offset so that the water stream does not fall directly on the grid drain
- Sink is designed with sealed overflow to eliminate an area for water to pool
- Includes removable acrylic shroud (with mounting hardware) to allow access to the faucet electronics
- Includes offset grid drain & P-Trap with Saniguard® coating

**Saniguard is a registered trademark of the Component Hardware Group, Inc.

SELECTRONIC® FAUCET:

- Hygienic hands-free operation
- Rigid gooseneck spout with 5" (127mm) reach
- 1.25 gpm/5.7Lpf laminar flow restrictor in spout shank
 - No mix of air and water
- Plain spout end - Nothing on the end of the spout to collect lime & debris

Power Options:

- **Plug-In** - 9118AC System: Includes universal low voltage transformer (80-250 VAC, 50-60 Hz) with 6' (1829mm) long cord. One transformer can run up to 15 faucets and/or flush valves in series.
- **DC (Battery)** - 9118DC System: Includes CR-P2 Lithium battery. Battery Life - Approx. 200,000 cycles (4 years @ 4,000 cycles per month)

- Fully enclosed, water resistant & hermetically sealed electronic controls
- Vandal-resistant durable brass construction
- Integral in-line strainer prevents clogging
- Factory-installed 15" (381mm) long S.S. flex hose with 3/8" compression connection
- Lead Free: Faucet contains ≤ 0.25% total lead content by weighted average

- Optional thermostatic mixing valve (605XTMV1070) is available & must be ordered separately



SEE REVERSE FOR ROUGHING-IN DIMENSIONS

Nominal Fixture Dimensions:

509 x 432 x 663mm (20" x 17" x 26-1/8")

Fixture Compliance Certifications -

Meets or Exceeds the Following Specifications:

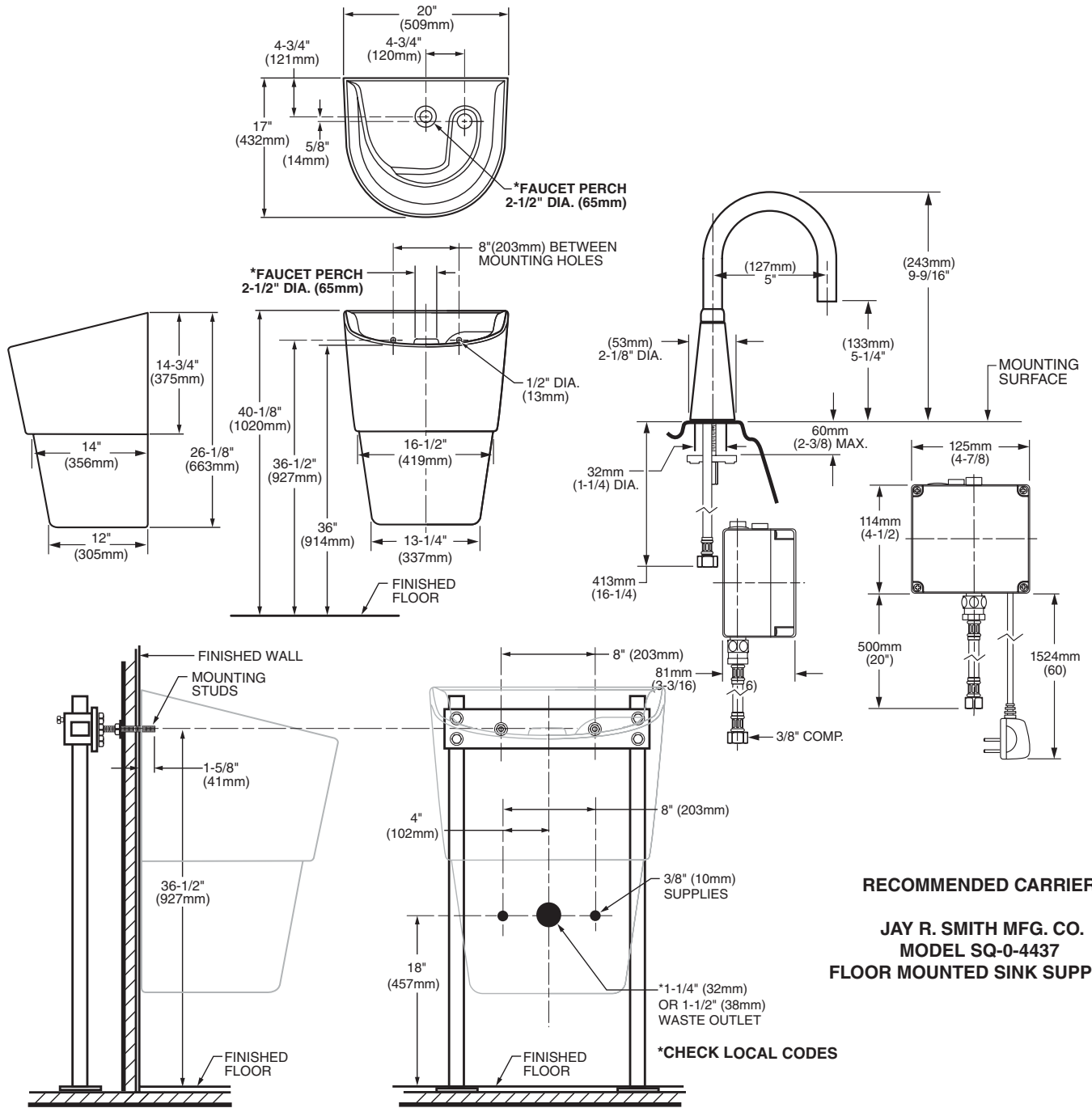
- ASME A112.19.2-2008 / CSA B45.1-08 for Vitreous China Fixtures

Valve Listings:

- ANSI A117.1
- ANSI A112.18.1
- CSA B 125
- NSF 61/Section 9, Annex G

DISCLAIMER: Faucets with a base diameter greater than 2-1/4" (57mm) will not fit on this ICU Sink. The Selectronic ICU Faucet was specifically designed to minimize splashing during operation. American Standard will not be liable for any splashing that occurs if faucets other than the American Standard ICU Faucets are used.





**BASE MOUNT
DETAIL**

