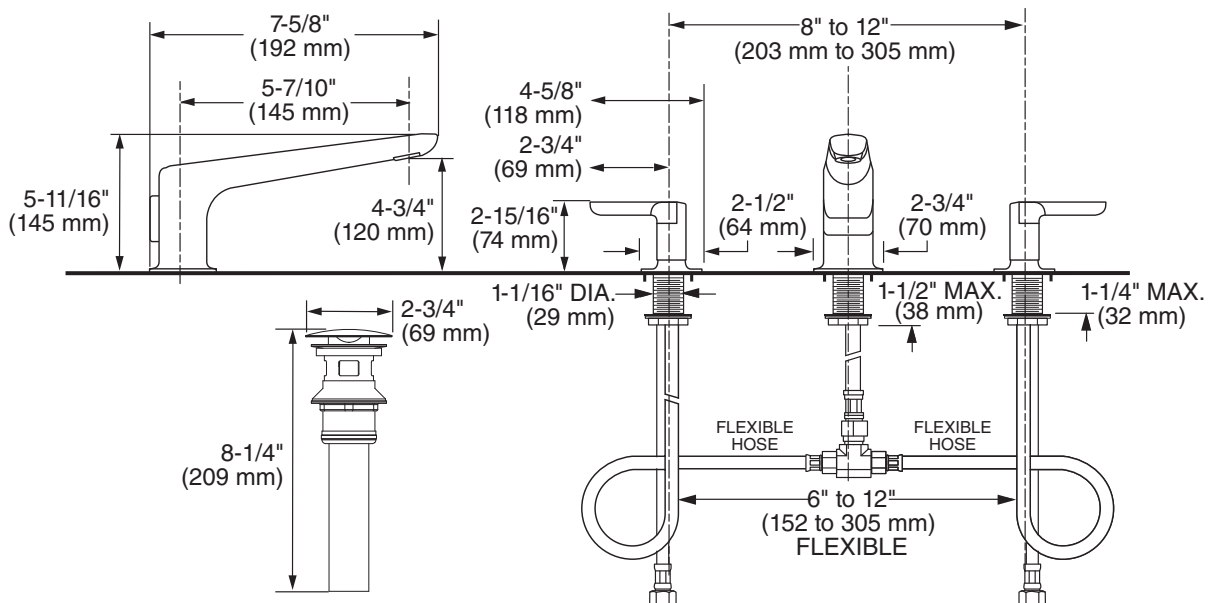


MODEL NUMBER:

- ☐ **7105857 Studio S Widespread**
Metal lever handles.
- ☐ **7105877 Studio S Widespread**
Metal knob handles.



GENERAL DESCRIPTION:

Integrated flexible hose connections on valve body for 6" to 12" (152 mm to 305 mm) installations. 1/4 turn washerless ceramic disc valve cartridges. Cast brass spout. 24" stainless steel braided flexible supply hoses with 3/8" compression connectors. Brass Push Pop-up drain body with 1-1/4 inch (32 mm) tail piece. 1.2 gpm/4.5 L/min. maximum flow rate.

PRODUCT FEATURES:

Brass Construction: Durable. Easy to clean. Ideal for prolonged contact with water. Provides the finest surface for application of colors and finishes.

Ceramic Disc Valve Cartridge: Assures a lifetime of smooth handle operation and drip-free performance.

Push Pop-Up Drain:

- Fewer parts. Installs in less time.
- No adjustments required - seals the first time, every time.

Lead Free: Faucet contains ≤ 0.25% total lead content by weighted average.



EPA
WATERSENSE®
CERTIFIED

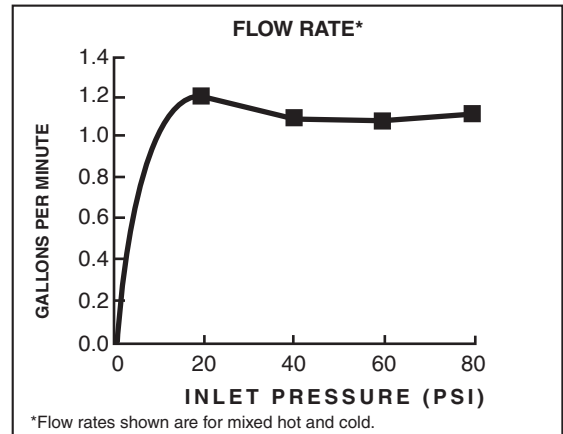
SUGGESTED SPECIFICATION



Two-handle widespread lavatory faucet shall feature flexible hose connections for 6" to 12" installations. Shall also feature 1/4 turn washerless ceramic disc valve cartridges. Shall also feature a metal drain body. Fitting shall be American Standard Model #71058X7.____.


CODES AND STANDARDS

These products meet or exceed the following codes and standards:

- ANSI A117.1**
- ASME A112.18.1**
- CSA B125.1**
- NSF 61/Section 9**
- NSF 372**



Product Number	Description	Finish Options		
		Polished Chrome	PVD Brushed Nickel	Matte Black
		002	295	243
7105857	Studio S Widespread. Metal lever handles.			
7105877	Studio S Widespread. Metal knob handles.			

 Meets CSA B651 Barrier Free code. Check local codes.

 Meets the American Disabilities Act Guidelines and **ANSI A117.1** Requirements for the physically challenged.